



EZ100/EZ300/EZ500 series BARCODE PRINTER USER MANUAL



User Manual : EZ100/EZ300/EZ500 series
Version : A
Issue Date : 2014/12
P/N : 920-015511-00

CONTENTS

1. Barcode Printer	1
1-1 Box Content	1
1-2 Getting To Know Your Printer.....	2
2. Printer Setup	4
2-1 Open The Printer Cover	4
2-2 Open The Printing Mechanism	5
2-3 Loading The Ribbon	6
2-4 Loading The Label Roll.....	8
2-5 Loading The Label Roll (Label Dispenser Model).....	10
2-6 Loading The Label Roll (Cutter Model).....	13
2-7 Installing The Label Supply Hub Base On Internal Diameter	14
2-8 Preparing For Tag Printing.....	15
2-9 Connecting The Printer To The Host Computer	16
2-10 Installing The Driver.....	17
3. Operation Panel	20
3-1 LED Operation Panel	20
3-2 Error Alerts	21
3-3 Label size calibration and Self Test Page.....	22
3-4 Operation Panel.....	23
4. NetSetting for Ethernet	24
4-1 Installing The NetSetting software	24
4-2 The interface of NetSetting	25
5. Maintenance And Adjustment	32
5-1 Cleaning The Print Head.....	32
5.2 Adjusting The Print Head Pressure	33
5-3 Adjusting The Print Line.....	33
5-4 Cleaning The Cutter (Cutter Model)	34
5-5 Troubleshooting	35
Appendix -EZ100 Series Printer Specifications	36
Appendix -EZ300/EZ500 Series Printer Specifications	37

Declaration

FCC COMPLIANCE STATEMENT FOR AMERICAN USERS

This equipment has been tested and found to comply with the limits for a CLASS A digital device, pursuant to Part 15 of the FCC Rules. These limits are designed to provide reasonable protection against harmful interference when the equipment is operated in a commercial environment. This equipment generates, uses, and can radiate radio frequency energy and, if not installed and used in accordance with the instructions, may cause harmful interference to radio communications. Operation of this equipment in a residential area is likely to cause harmful interference in which case the user will be required to correct the interference at own expense.

EMS AND EMI COMPLIANCE STATEMENT FOR EUROPEAN USERS

This equipment has been tested and passed with the requirements relating to electromagnetic compatibility based on the standards EN 55022:2006/A1:2007 Class A, EN61000-3-2:2006, EN 61000-3-3:2008 and EN55024:1998/A1:2001/A2:2003, IEC 61000-4-2:2008 series, The equipment also tested and passed in accordance with the European Standard EN55022 for the both Radiated and Conducted emissions limits.

EZ100/EZ300/EZ500 SERIES TO WHICH THIS DECLARATION RELATES IS IN CONFORMITY WITH THE FOLLOWING STANDARDS

IEC 60950-1:2005(2nd Edition)+Am 1:2009, GB9254-2008 (Class A) ; GB17625. 1-2003; GB4943.1-2011, EN 55022:2006/A1:2007 Class A, EN61000-3-2:2006, EN 61000-3-3:2008 and EN55024:1998/A1:2001/A2:2003, IEC 61000-4-2:2008 series, UL 60950-1, 1st Edition, 2007-10-31, CSA C22.2 No. 60950-1-03, 1st Edition, 2006-07, CFR 47, Part 15

WARNING

This is a Class A product. In a domestic environment this product may cause radio interference in which case the user may be required to take adequate measures.

此为 Class A 产品，在生活环境中，该产品可能造成无线电干扰，在这种情况下，可能需要用户对其干扰采取切实可行的措施。

SAFETY INSTRUCTIONS

Please read the following instructions carefully.

1. Keep the equipment away from humidity.
2. Before you connect the equipment to the power outlet, please check the voltage of the power source.
3. Make sure the printer is off before plugging the power connector into the power jack.
4. It is recommended that you connect the printer to a surge protector to prevent possible transient overvoltage damage.
5. Be careful not to get liquid on the equipment to avoid electrical shock.
6. For safety and warranty reasons, ONLY qualified service personnel should open the equipment.
7. Do not repair or adjust energized equipment under any circumstances.

CAUTION

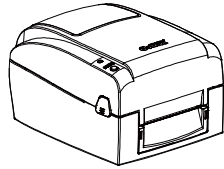
- Danger of explosion if battery is incorrectly replaced. Replace only with the equivalent type recommended by the manufacturer.
- Dispose of used batteries according to the manufacturer's instructions.
- Only use with designated power supply adapter model.
- Changes or modifications not expressly approved by the party responsible for compliance could void the user's authority to operate the equipment.

1. Barcode Printer

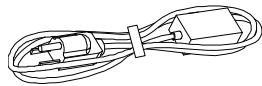
1-1 Box Content

Please check that all of the following items are included with your printer.

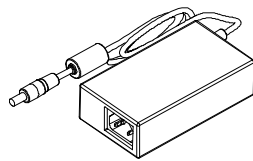
Barcode Printer



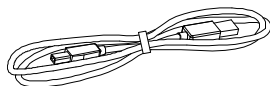
Power Adapter



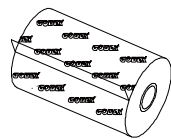
AC Adapter



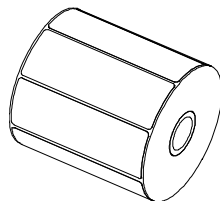
USB Cable



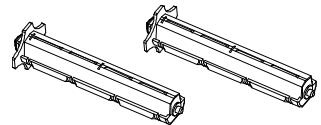
Ribbon



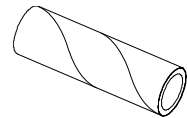
Label Stock



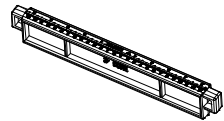
Ribbon Hubs (set of 2)



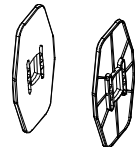
Empty Ribbon Core



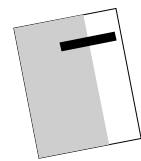
Label Supply Hub



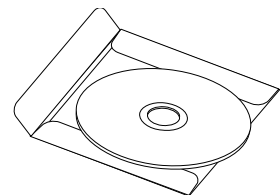
Label Guide Plates (set of 2)



Quick Guide

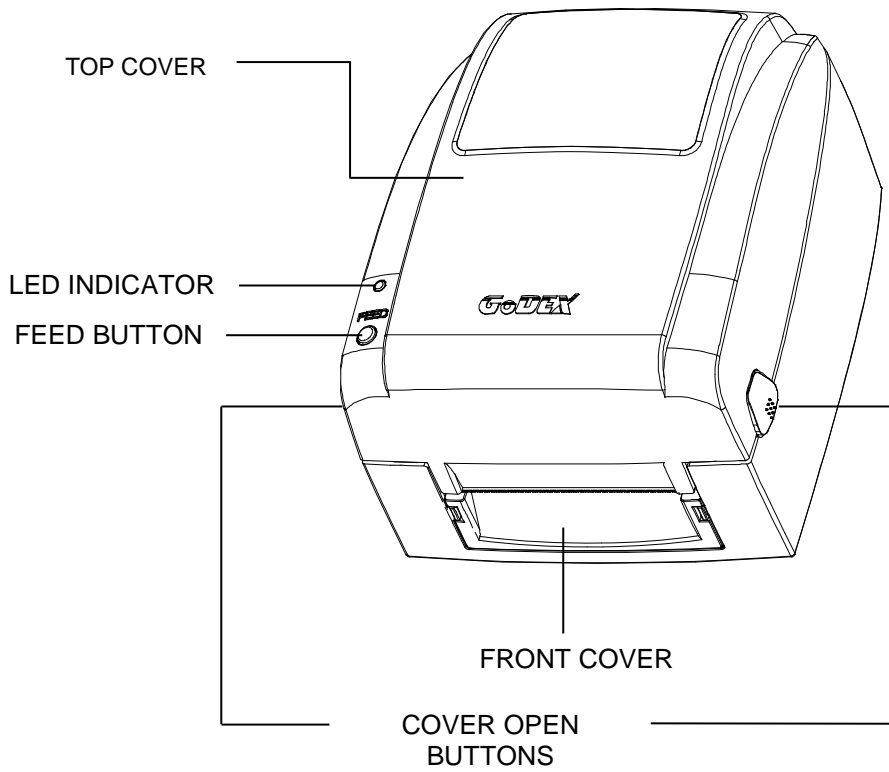


CD (with GoLabel software / user manual)

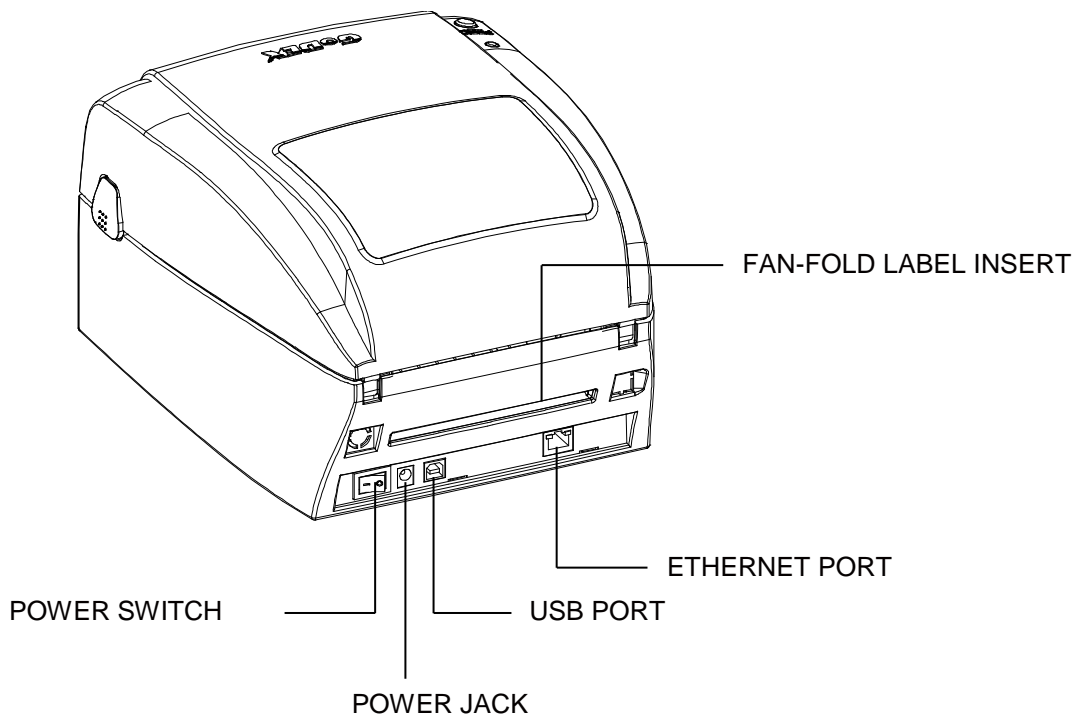


1-2 Getting To Know Your Printer

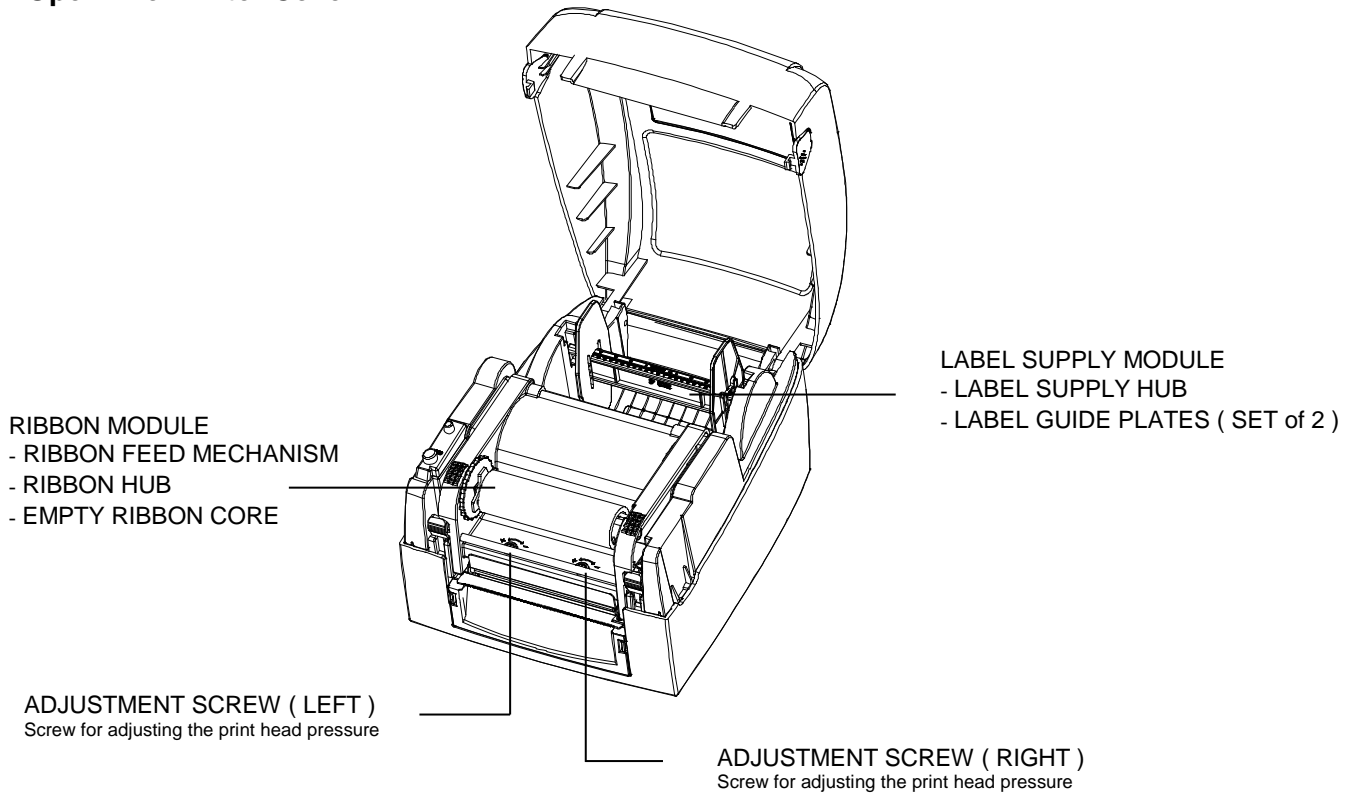
Front View



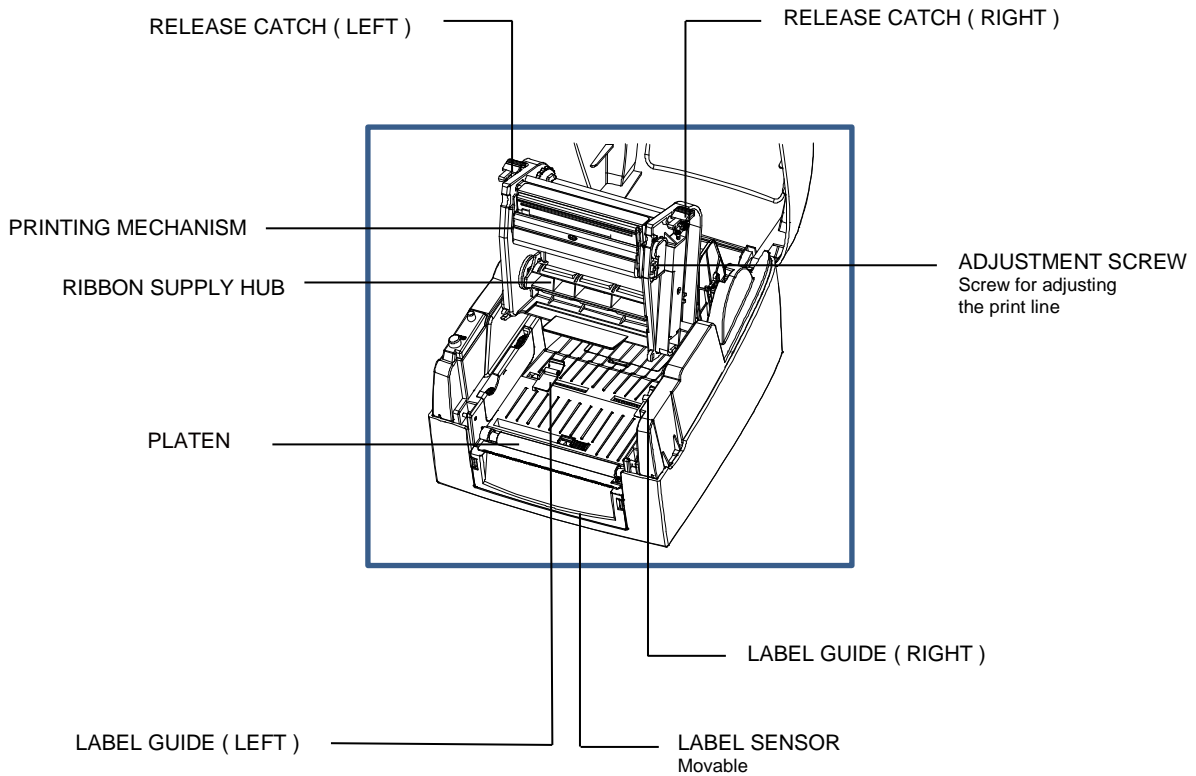
Rear View



Open The Printer Cover



Open The Printing Mechanism

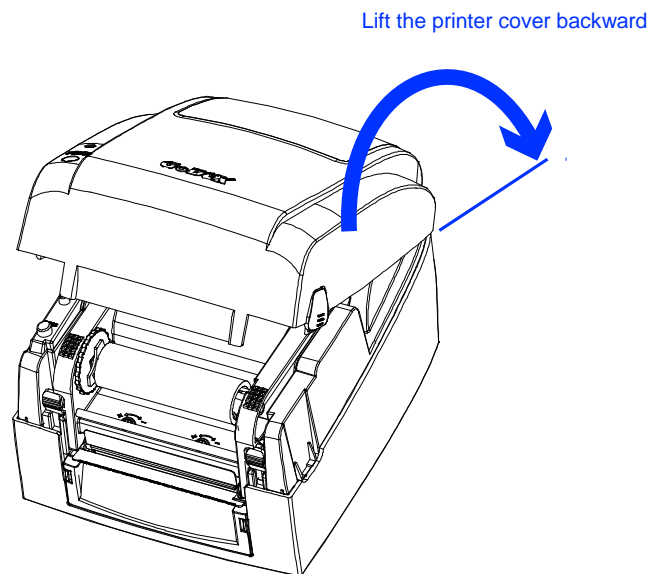
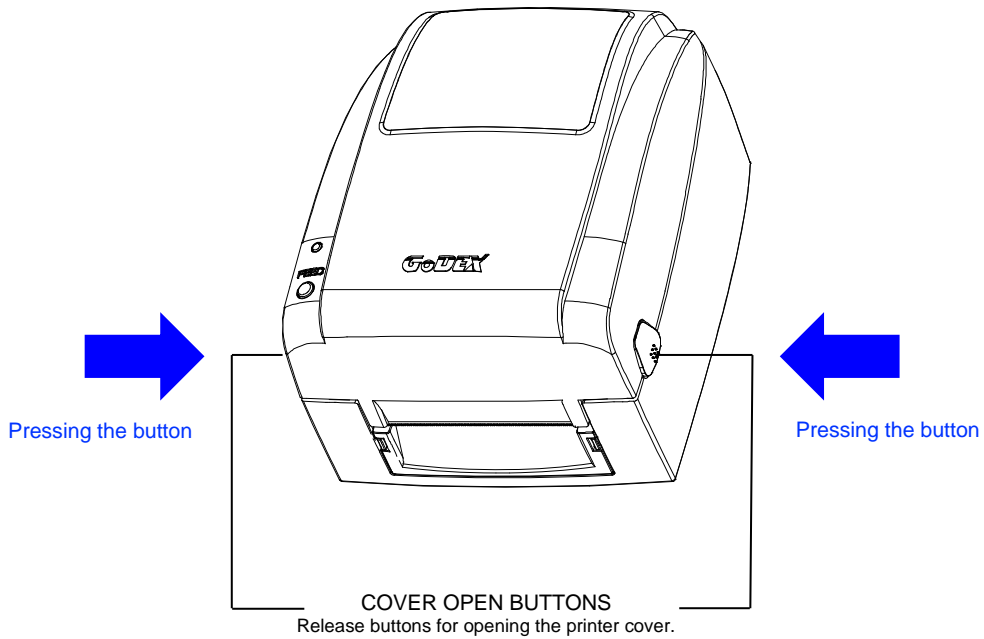


2. Printer Setup

2-1 Open The Printer Cover

➤ Pressing The Cover Open Buttons

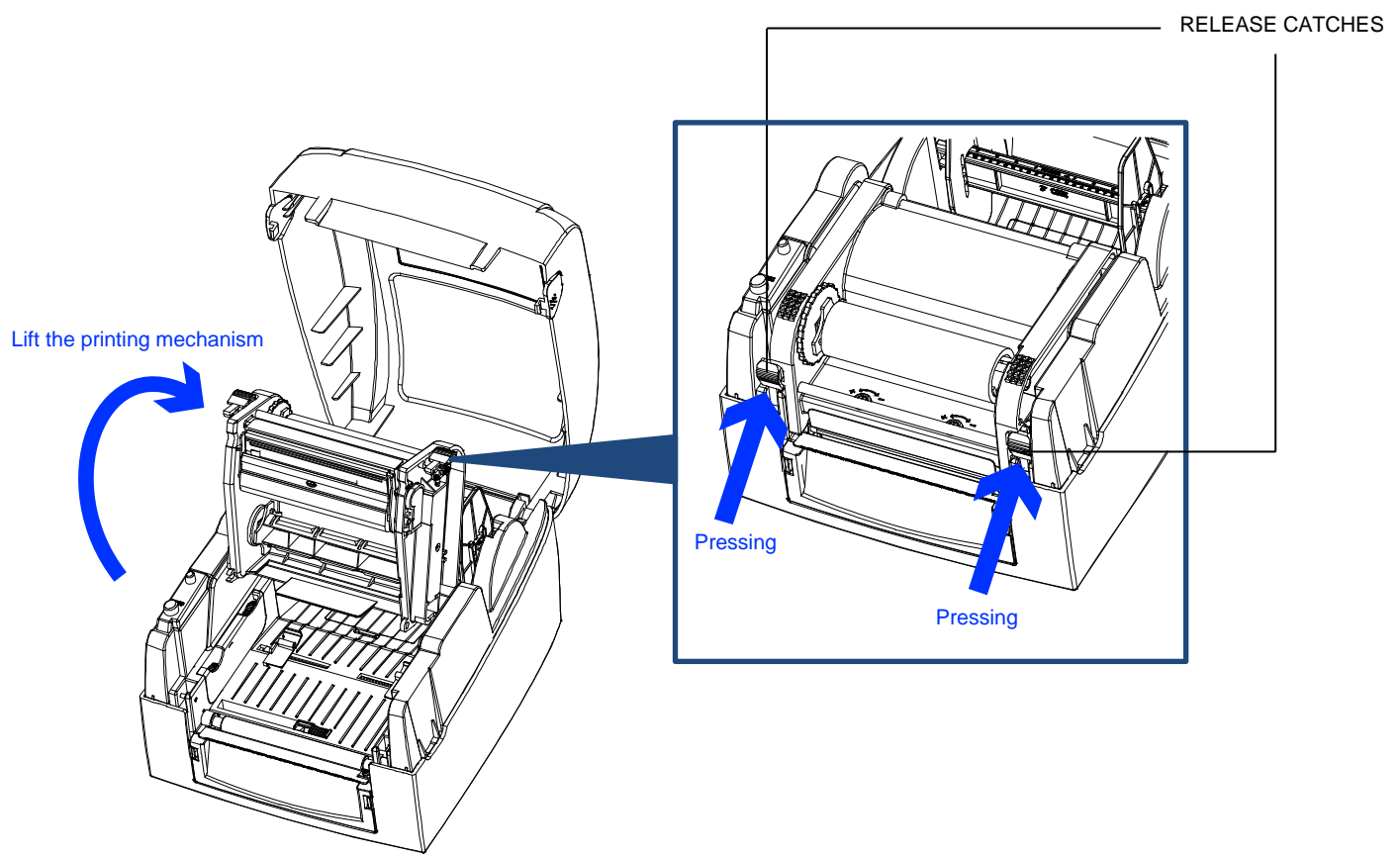
Place the printer on a flat surface. Open the printer cover by pressing the release buttons on both sides of the printer housing and lift the cover.



2-2 Open The Printing Mechanism

➤ Pressing The Release Catches

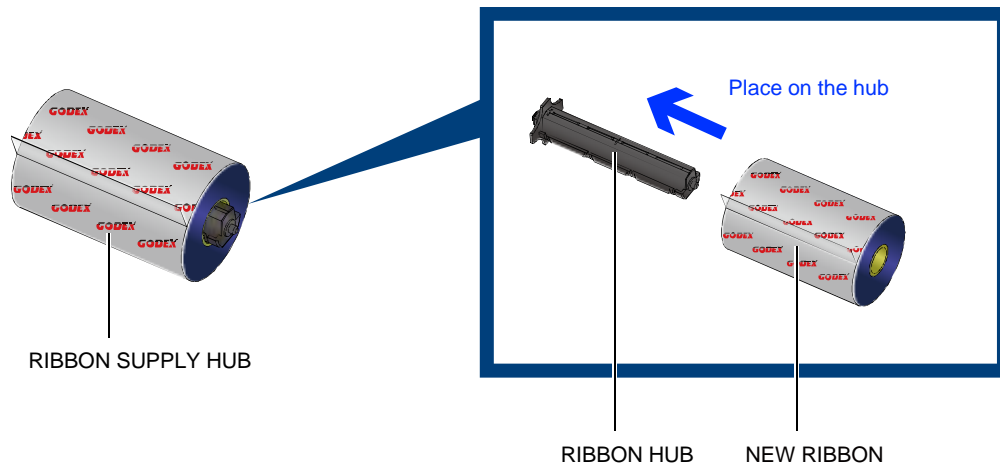
Release and lift the printing mechanism.



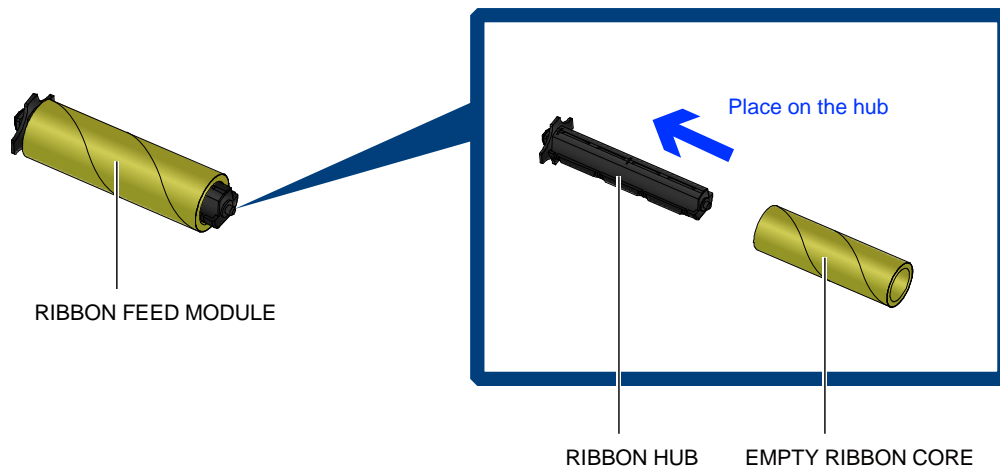
2-3 Loading The Ribbon

➤ A New Ribbon Module Installation

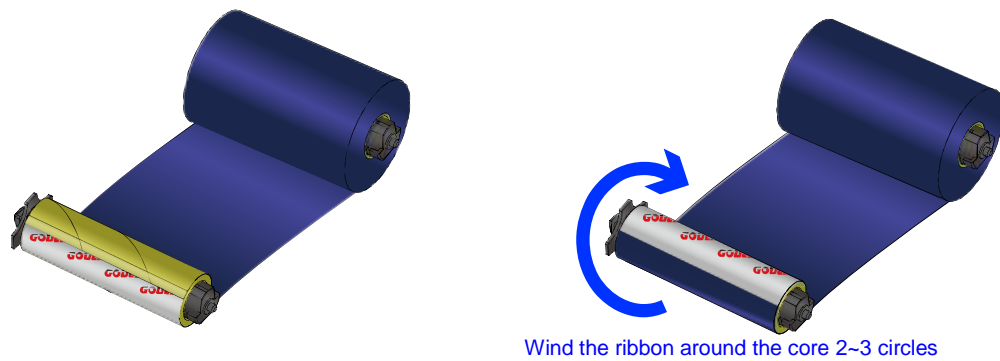
Place the new ribbon on the hub which forms a ribbon supply hub.



Place the empty ribbon core on the hub which forms a ribbon rewind hub.

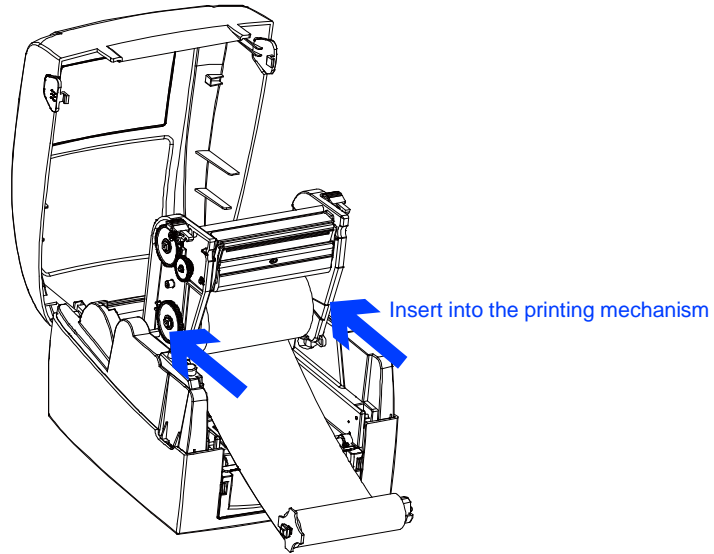


Stick the ribbon supply hub on the ribbon rewind hub and wind the rewind hub 2-3 circles.



➤ **Install The Ribbon On The Printer**

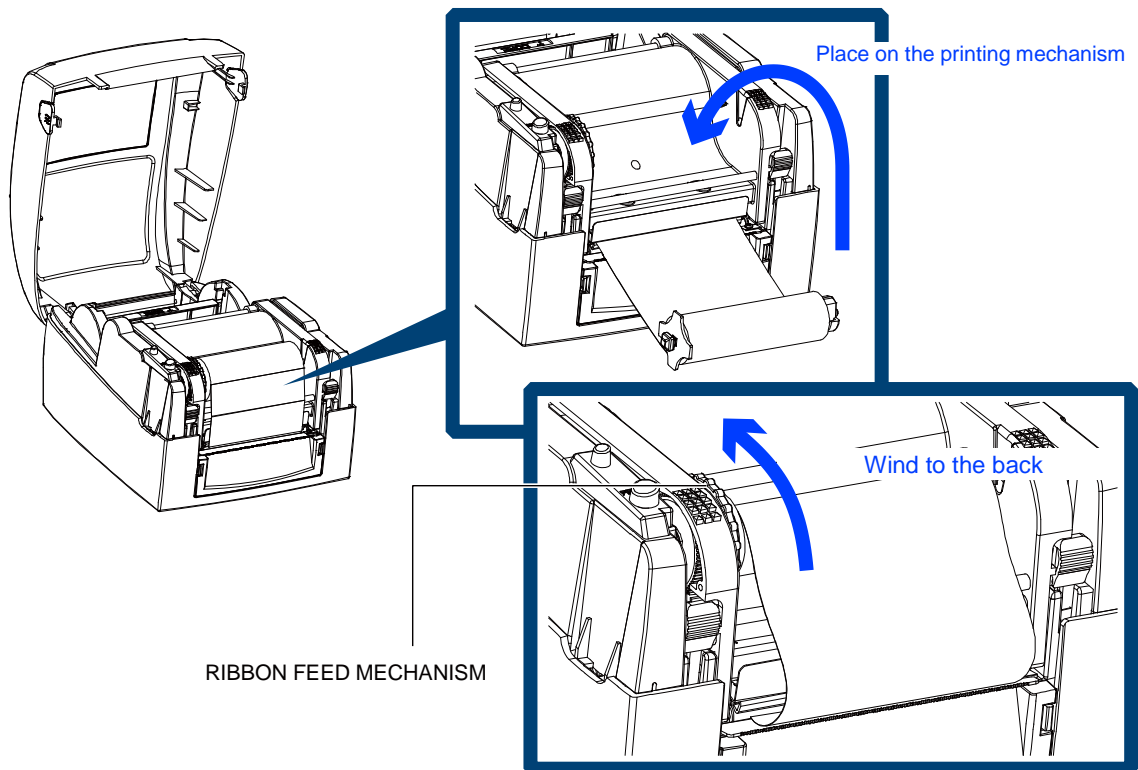
Place the ribbon supply hub at the back of the printing mechanism



Pass the ribbon supply hub under the print head.

Insert the ribbon rewind hub on the ribbon feed mechanism.

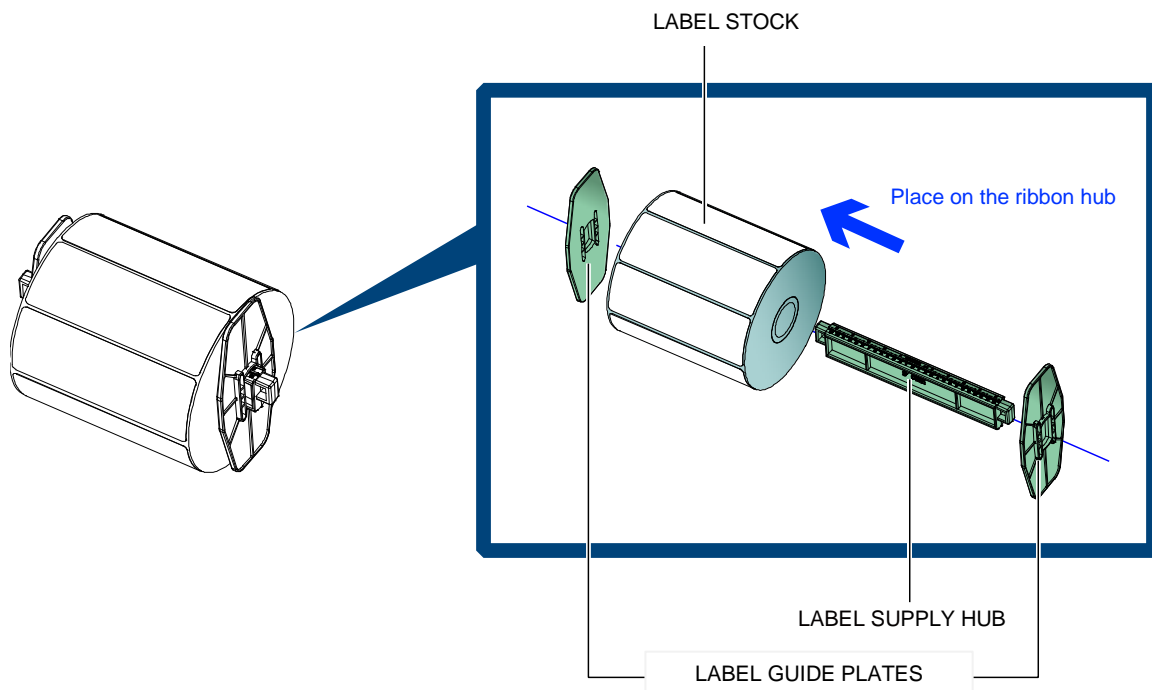
Close the printing mechanism, making sure that it clicks into place.



2-4 Loading The Label Roll

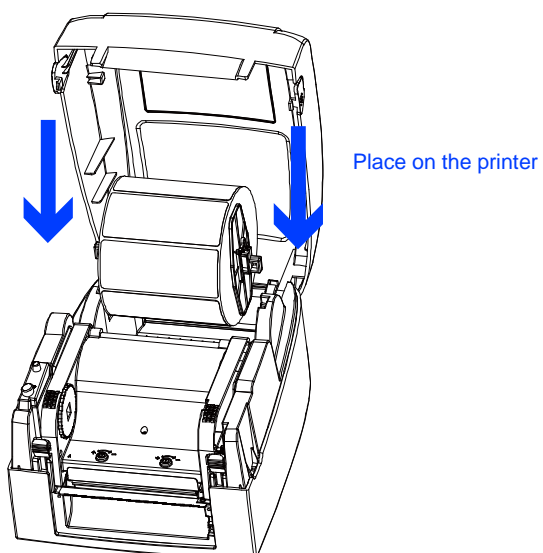
➤ A New Label Roll Module Installation

Place the label stock on the label supply hub, attach the guide plates to the label stock holder

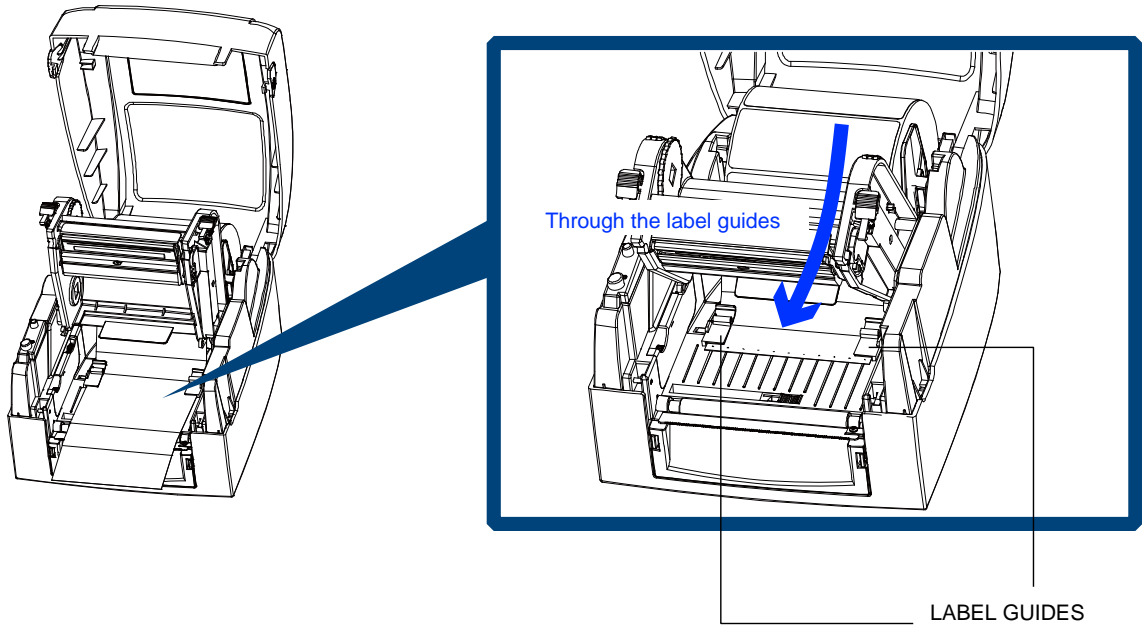


➤ Install The Label Roll Module On The Printer

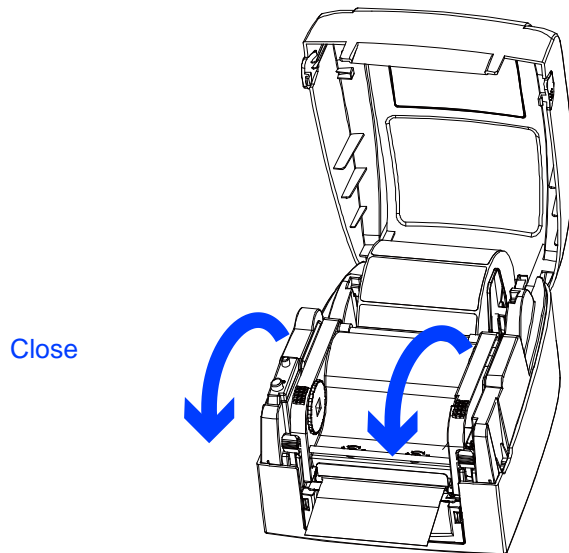
Now load the label stock into the printer



Release the printing mechanism and lift it.
Pass the labels through the label guides up to the tear-off plate.
Adjust the label guides to the label width.

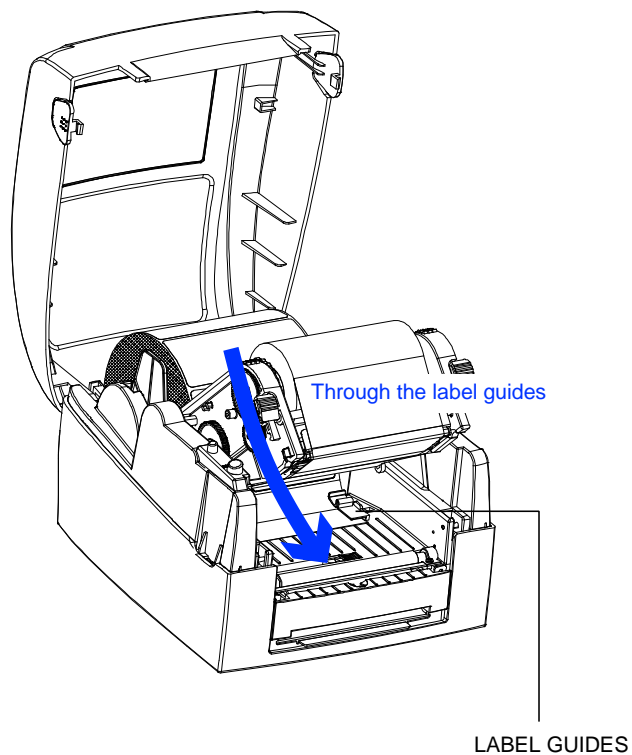


Close the printing mechanism

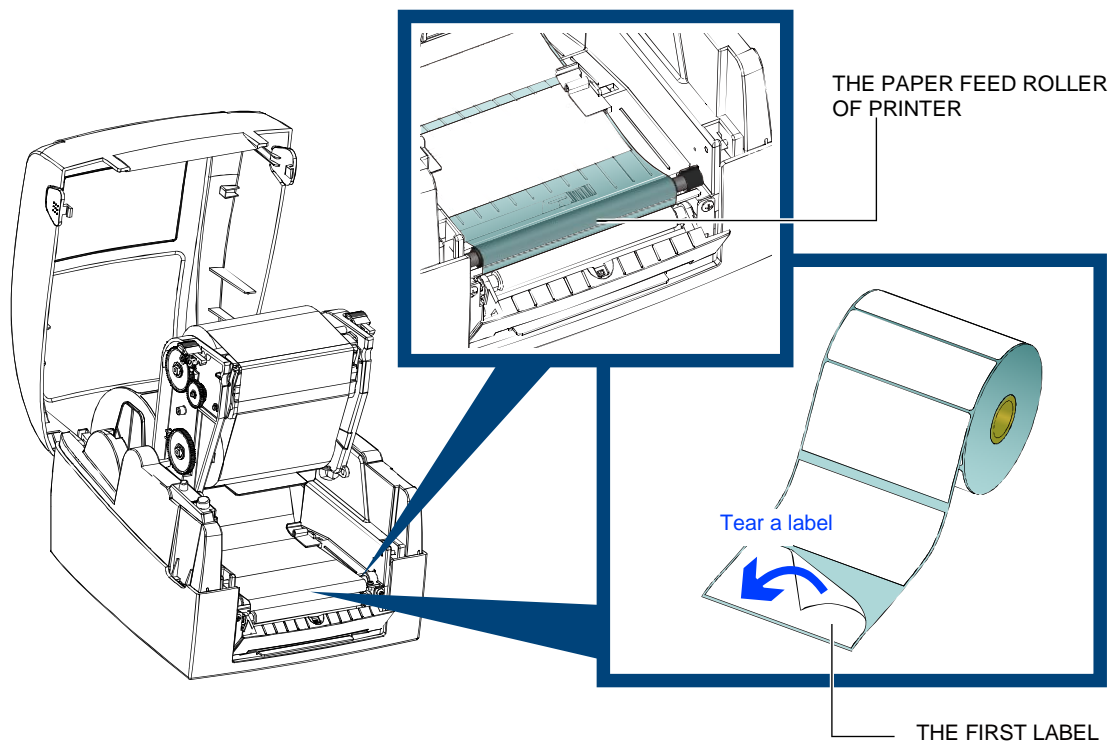


2-5 Loading The Label Roll (Label Dispenser Model)

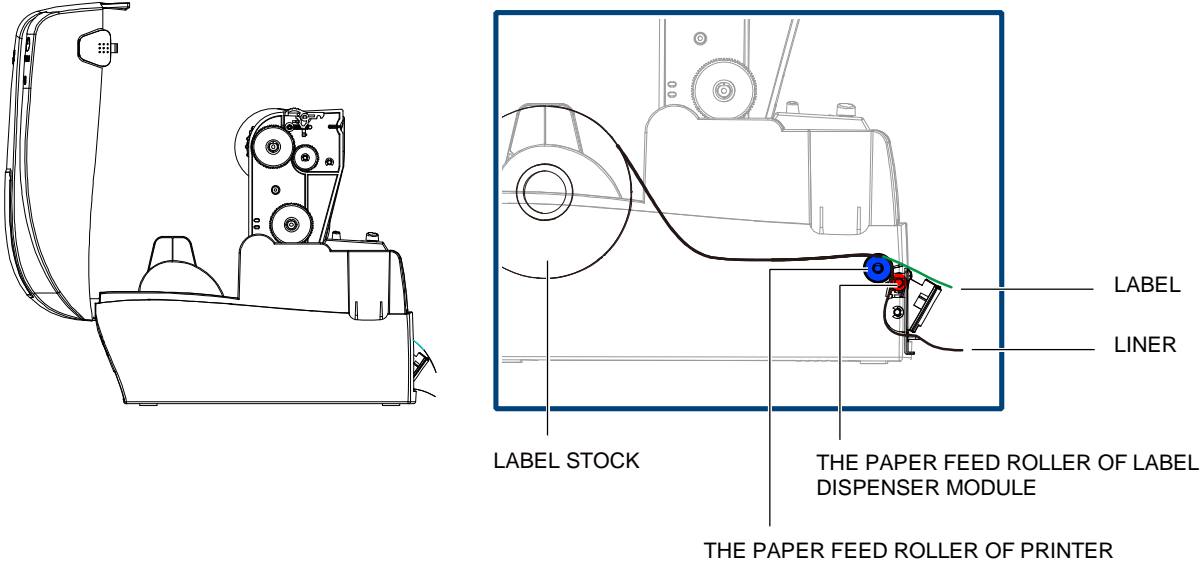
Pass the paper through the guides.



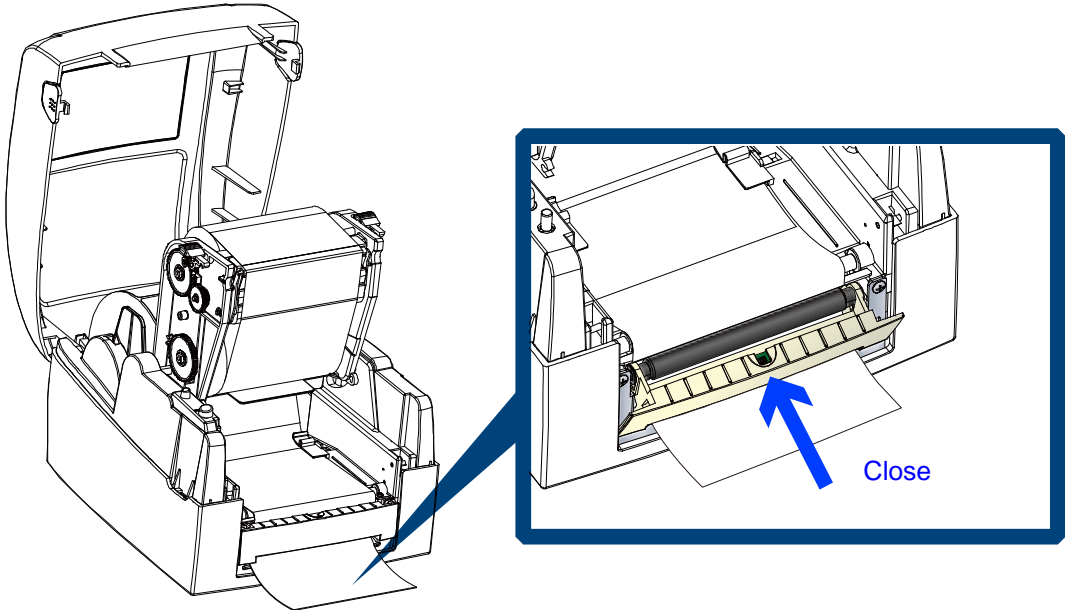
Remove the first labels from the liner, so you can pull the liner through the guides.



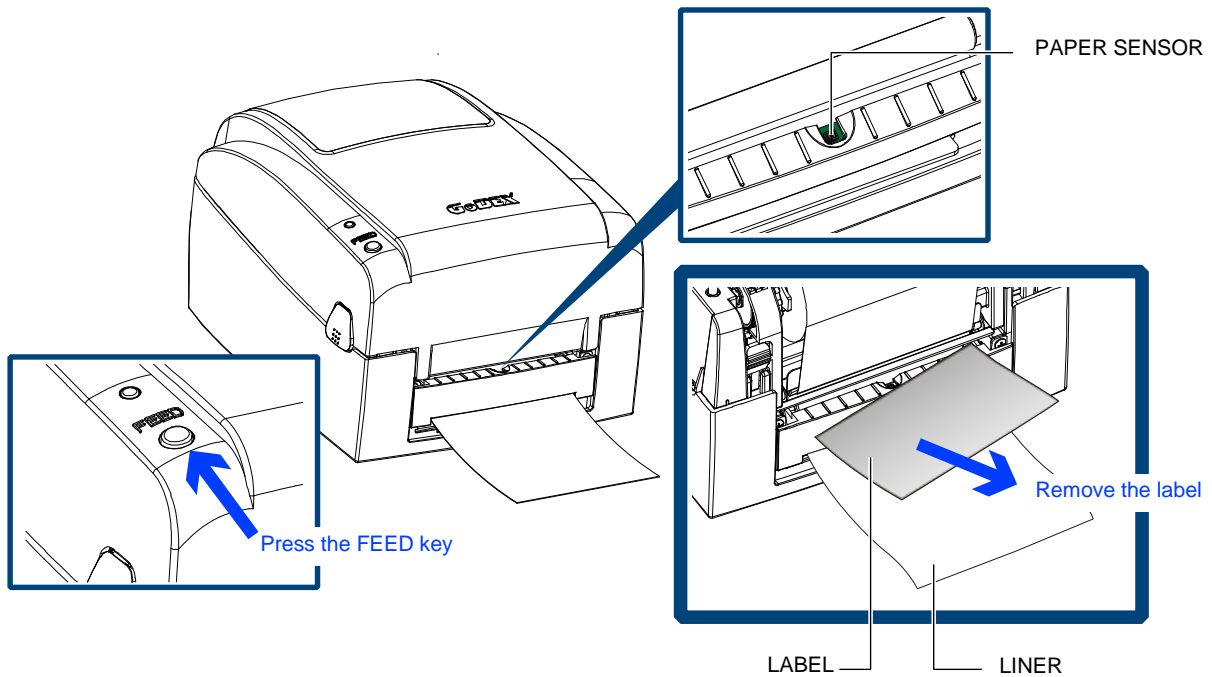
Pass the label stock through the printer as shown in the illustration on the right



Close the label dispenser and the print mechanism. The installation is completed now.



Press the FEED button to feed the label. The label will be peeled from the liner while it passes through the label dispenser.



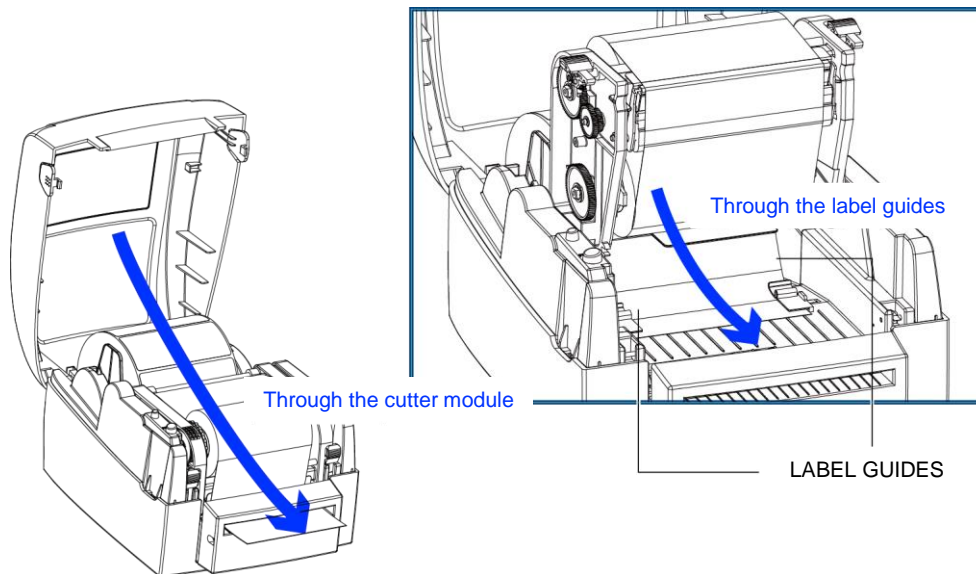
! NOTICE

- A label liner thickness of $0.006 \text{ mm} \pm 10\%$ and a weight of $65 \text{ g/m}^2 \pm 6\%$ are recommended.
- The label dispenser will take labels up to a max. width of 110 mm. Labels should be at least 25 mm high to ensure correct functioning of the label dispenser.
- When using the label dispenser, set the stop position to 9 mm.
- There is a paper sensor on the Label Dispenser module. It will stop the printing if it is covered by label. Please remove the last printed label and the printer will then continue to print next label.

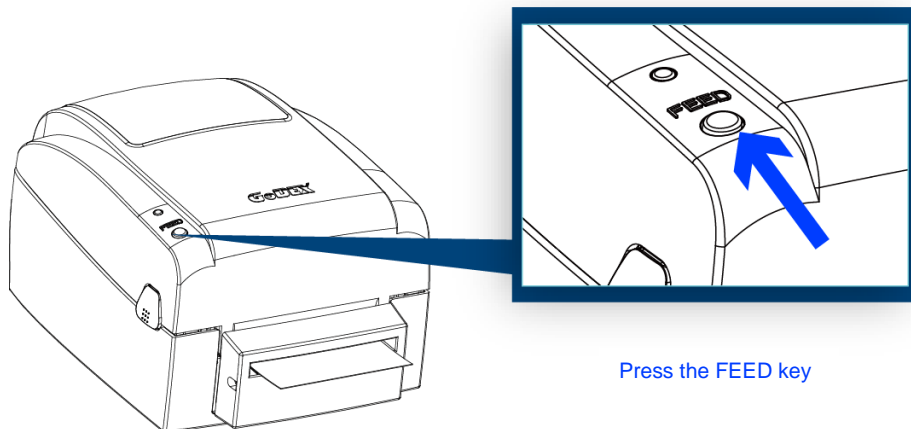
2-6 Loading The Label Roll (Cutter Model)

Pass the labels through the guides.

Close the printing mechanism.



To finish, press the FEED button to set the label position.

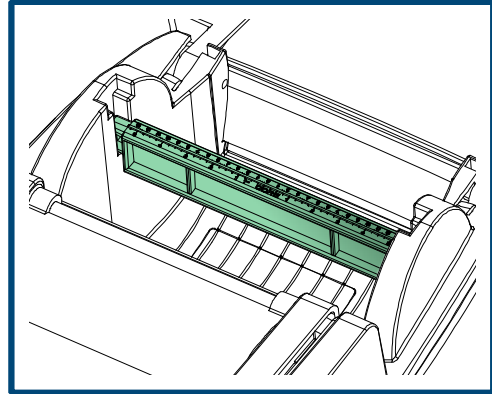
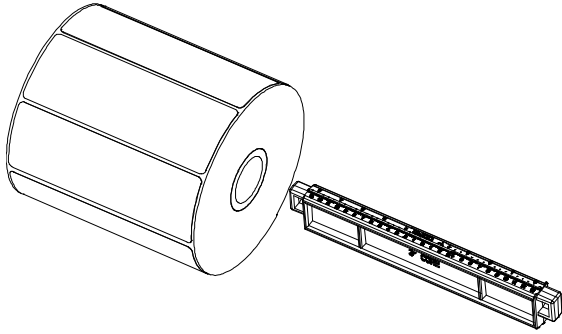


! NOTICE

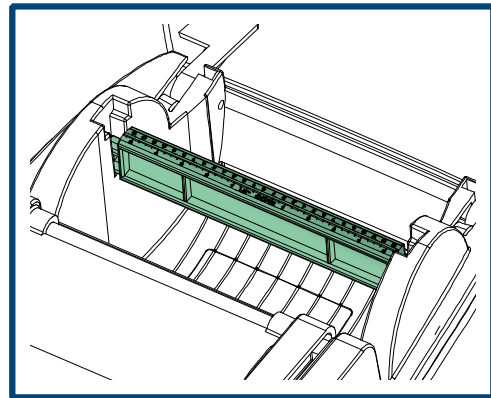
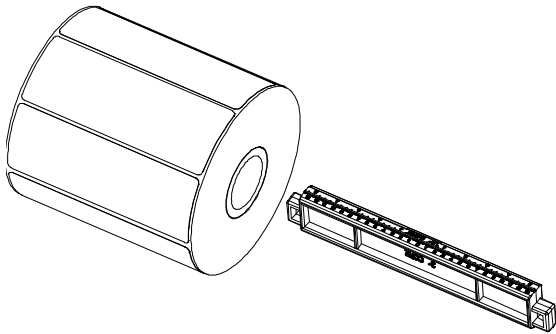
- Do not use to cut adhesive labels! Glue residue will be left on the cutter blade and impair its functioning.
- The cutter has a blade life of 400,000 cuts when using paper liner which is 0.2mm thick and 3 inches wide. You can cut paper with a max. width of 116 mm.
- Labels should be at least 30 mm high to ensure correct functioning of the cutter.
- With the cutter installed, setting the stop position in GoLabel to 30, or the E value to 30 is recommended.
- If you use cutter, please do not use inside wound media while printing, otherwise the breakdown may occur.

2-7 Installing The Label Supply Hub Base On Internal Diameter

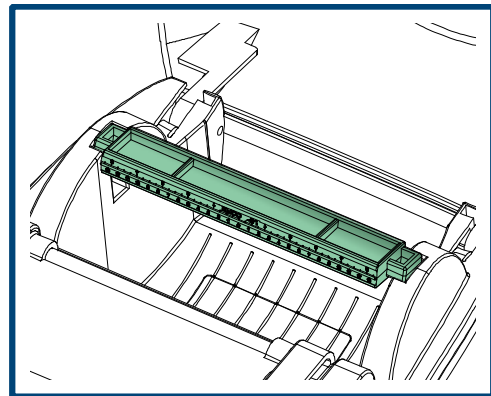
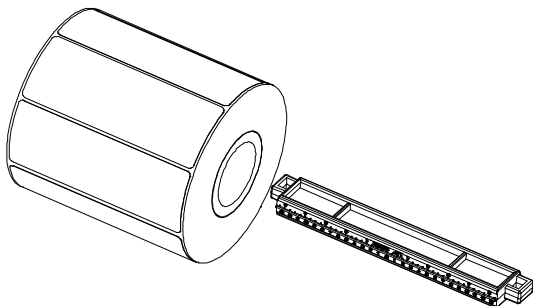
- **1" Cores**
Installing the label supply hub for 1" cores.



- **1.5" Cores**
Installing the label supply hub for 1.5" cores

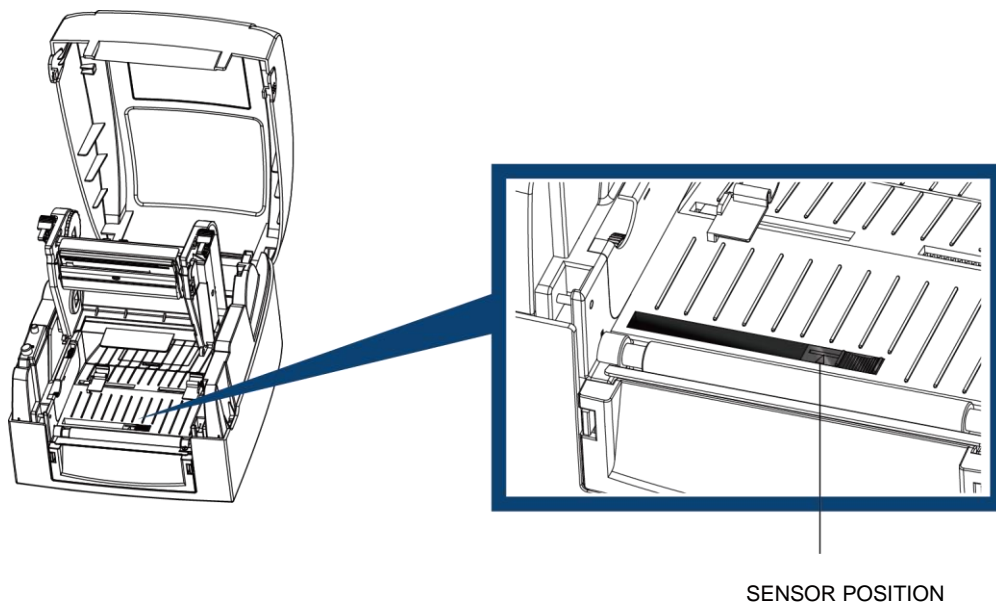


- **3" Cores**
Installing the label supply hub for 3" cores.



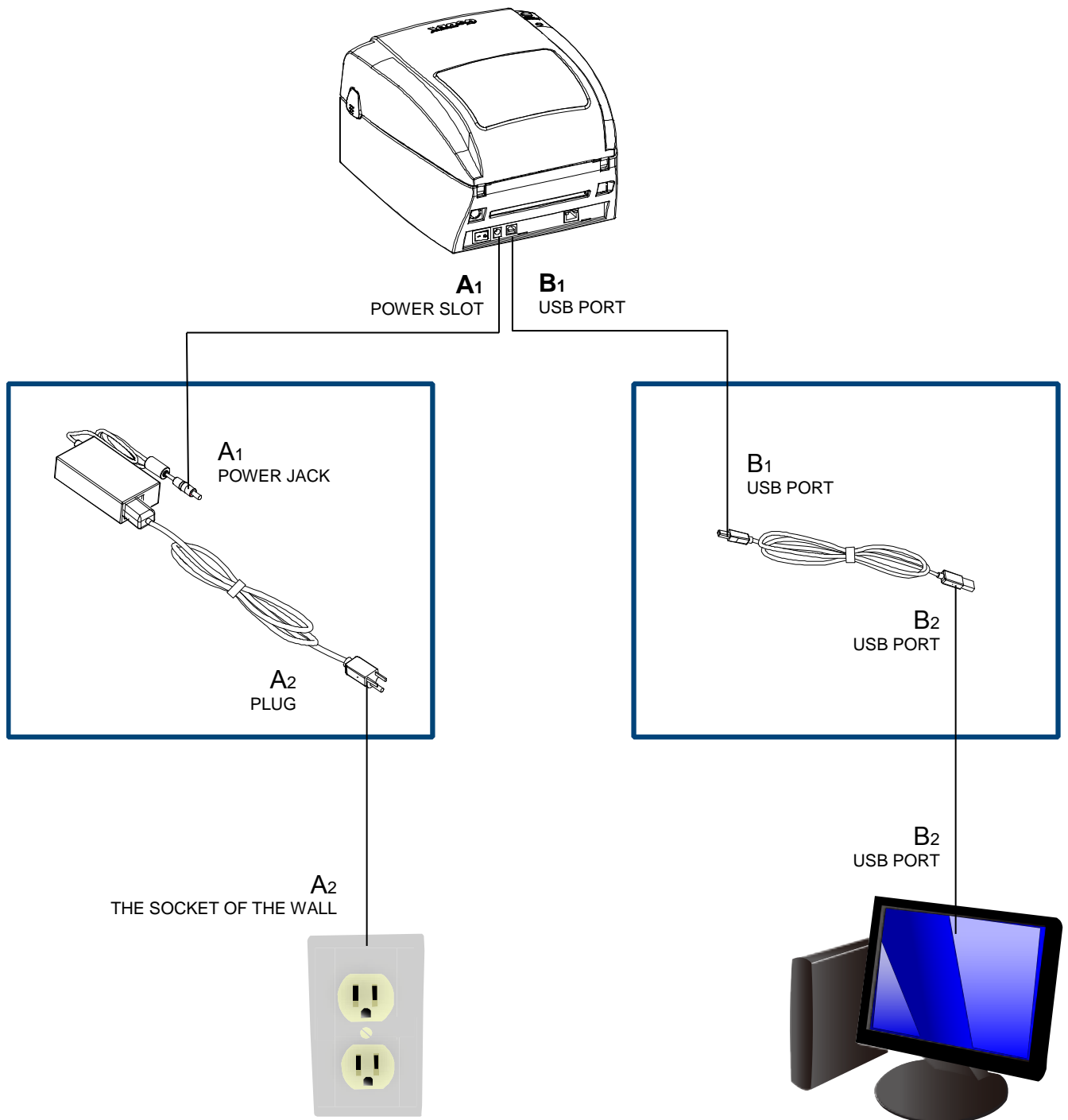
2-8 Preparing For Tag Printing

In tag printing, the tag hole indicates the height of a label. During adjustment, the sensor must therefore be positioned directly below the tag hole as shown in the illustration.



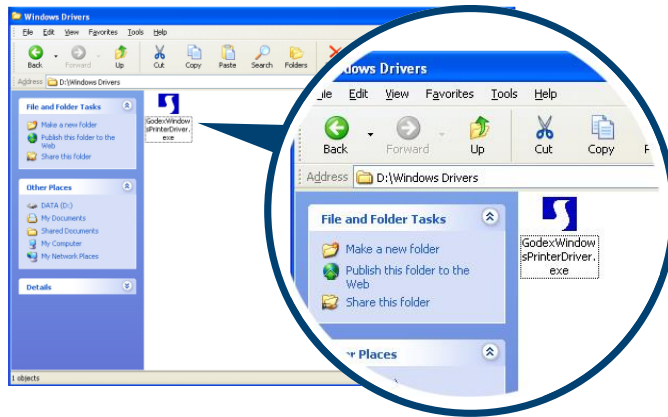
2-9 Connecting The Printer To The Host Computer

- Please make sure that the printer is switched off.
- Connect the power cord to the AC adapter and connect the adapter to the printer.
- Connect the USB / parallel cable to the printer and host computer. (USB / parallel cable's type depends on the printer which you purchase.)
- Switch on the printer. The LED indicator should now lights up.



2-10 Installing The Driver

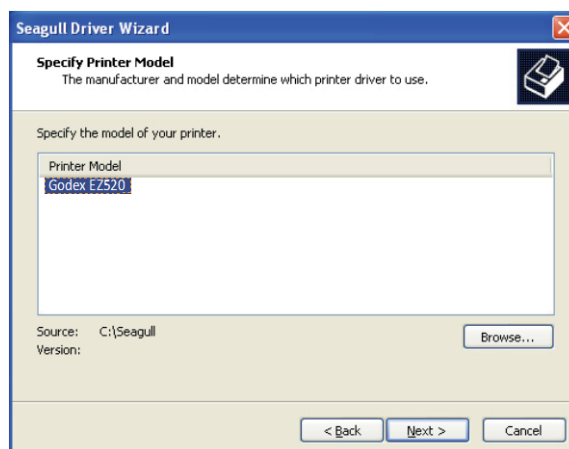
- STEP-01** Insert the product CD in the CD/DVD drive of the host computer and open the "Seagull-Driver" folder on the CD
- STEP-02** Select the icon for the driver file and click it to start the installation.



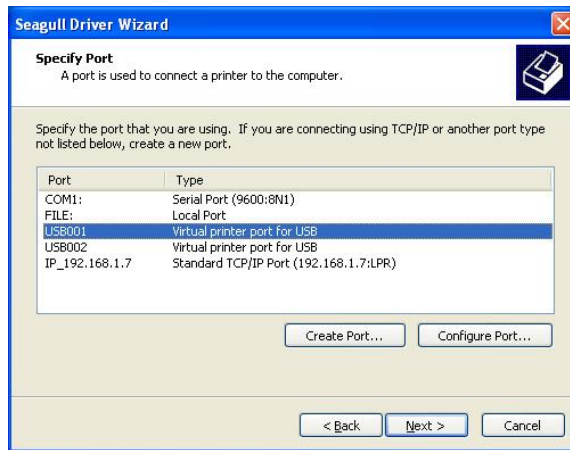
- STEP-03** Follow the instructions on the screen. The Driver Wizard guides you through the installation procedure.
- STEP-04** Select "Install printer drivers".



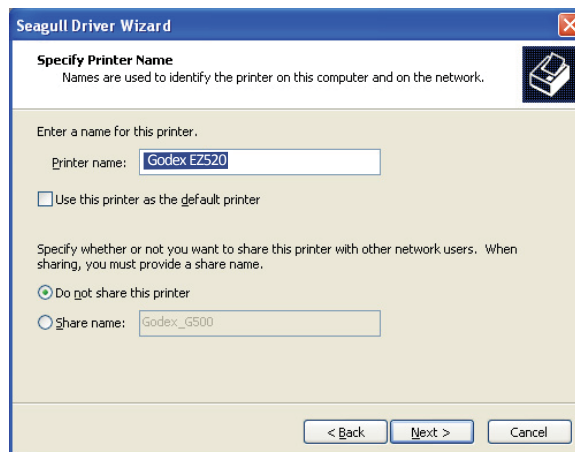
- STEP-05** Specify your printer model.



STEP-06 Specify the port used to connect the printer to the host computer.



STEP-07 Enter a printer name and assign the appropriate rights.



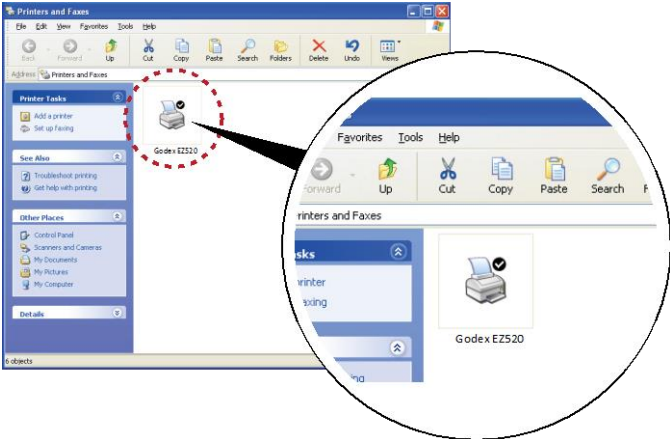
STEP-08 Once the installation is complete, a summary of the printer settings is displayed.

STEP-09 Check whether the printer settings are correct and click "Finish" to start copying the driver files.

STEP-10 Wait until copying is complete, then finish the installation.

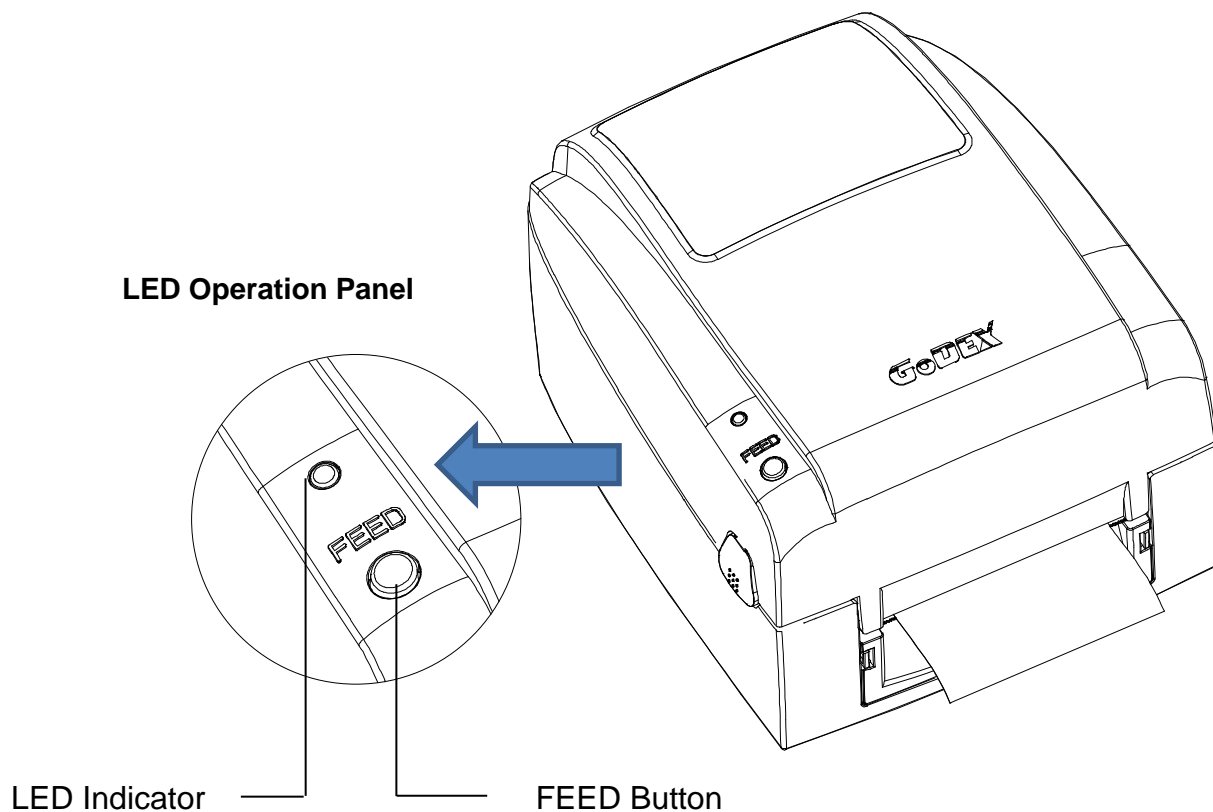


STEP-11 Once the driver installation is complete, the new printer should appear in the "Printers and Faxes" folder.



3. Operation Panel

3-1 LED Operation Panel



➤ FEED Button

When you press the FEED button, the printer moves the label to the defined stop position. If you are using continuous labels, pressing the FEED button will move label stock until you release the button again. If you are using individual labels, pressing the FEED button will move only one label. If the label does not stop at the correct position, please run the auto calibration (See Section 3-2. for the label size calibration function) on the label stock.

➤ LED Indicators

LED indicator	Status	Description
Green	Standby mode	The printer is ready for operation
Red /Orange	Error mode	The printer has detected an error. (See Section 3-2. for Error alerts)




3-2 Error Alerts

In the event of a problem that prevents normal functioning of the printer, you will see an error message on LED indicators and hear some beep signals. Please refer to below table for the error alerts.

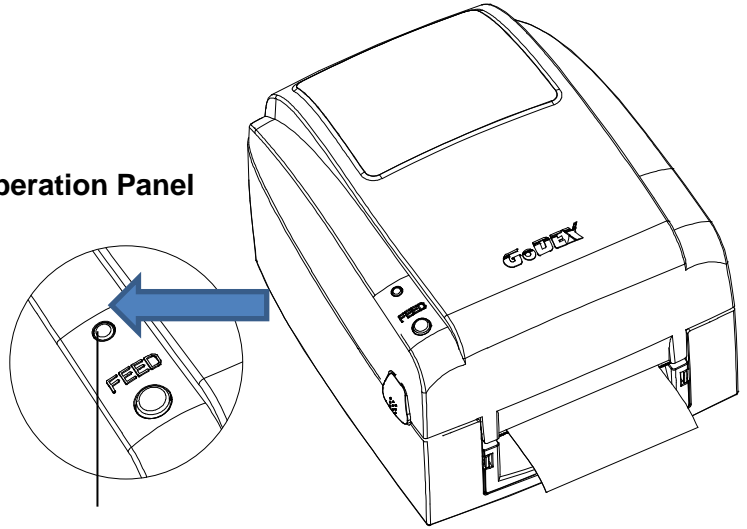
Error Indicators

- Red 
- Orange 








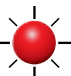

Flashing Frequency

- Flashing 
- Flashing Slowly 
- Light on 

LED Operation Panel



LED Indicator

LED indicator	Beeps	STATUS	Description	Solution
 → 		Paper Error	No paper is detected.	Please execute Auto Sensing again.
			Paper is finished.	Replace the paper or ribbon.
 → 	2 x 2 beeps		Printer feed problem.	Possible reasons: the print medium has become trapped around the rubber roll; the sensor cannot detect a gap or black mark between the labels; there is no paper. Please reset the sensor.
 → 	2 x 3 beeps	Print Mode Error	No ribbon is installed and the printer is set to direct thermal printing mode.	1. To work in thermal transfer mode, load a ribbon. 2. Alternatively, select the direct thermal printing mode. °
	First 2 beeps, than 3 beeps	Memory Error	The memory is full. The printer prints the message "File System full".	Delete unnecessary data from memory.
			Unable to find file. The printer prints the message "File Name Not found".	Use the "~X4" command to print all files. Then check whether the files exist and whether the names are correct.
			A file of the same name already exists. The printer prints the message "Filename is repeated".	Change the name of the file and try storing it again.
	None	Print Head Error	High temperature at the print head.	Wenn the printer is overheated, The printer will stop printing automatically. Once the print head has cooled down, the printer switches to standby mode. The LED indicator stops flashing.
	2 x 4 beeps	Operation Error	The printing head is not correctly closed.	Open the print mechanism and close it again.

3-3 Label size calibration and Self Test Page

The printer can automatically detect and store label height.
 That means the host computer does not need to transmit the label height to the printer.
 And the self-test function lets you check whether the printer is functioning normally.
 Here is how you run the label size calibration and self test.

- STEP-01** Check that the paper is loaded correctly.
- STEP-02** Switch off the printer and press Feed button.
- STEP-03** Switch the printer on again, keeping the FEED button pressed. When the LED starts to flash red, release the FEED button. The printer will now measure the label stock and store the label height.
- STEP-04** Once the printer has successfully measured the label stock, it will print a self-test label.

contents of a self-test printout are listed below.

Model & Version	EZ520:GX.XXX
USB ID setting	USB S/N:12345678
MAC address of Ethernet port	MAC Addr:xx-xx-xx-xx-xx-xx
IP protocol setting	DHCP Enable
IP address of Ethernet port	IP xxx.xxx.xxx.xxx
Gateway setting	Gateway xxx.xxx.xxx.xxx
Netmask setting	Sub-Mask xxx.xxx.xxx.xxx
	#####
Number of DRAM installed	1 DRAM installed
Image buffer size	Image buffer size:1500 KB
Number of forms	0000 FORM(S) IN MEMORY
Number of graphics	0000 GRAPHIC(S) IN MEMORY
Number of fonts	000 FONT(S) IN MEMORY
Number of Asian fonts	000 ASIAN FONT(S) IN MEMORY
Number of Databases	000 DATABASE(S) IN MEMORY
Number of Scalable fonts	000 TTF(S) IN MEMORY
Free memory size	4073 KB FREE MEMORY
Speed, Density, Ref. Point, Print direction	^S4 ^H8 ^R000 ~R200
Label width, Form length, Stop position	^W102 ^Q100,3 ^E18
Cutter, Label Dispenser, Mode	Option:^D0 ^O0 ^AD
Sensor Setting	Reflective AD:1.96 2.84 2.49[0.88_23]
Code Page	Code Page:850
Printer is on factory default	Default state=Yes

3-4 Operation Panel

STEP 1, Let the printer enter Dump Mode (For Desktop printer EZ100/EZ300/EZ500 series)

1. Power off the printer, press and hold the FEED key.
2. Power on the printer (while still holding the FEED key).
3. There are 3 serial short beeps first, then, 3 single beep.
Release FEED key when heard the 3rd beep.

STEP 2. Make sure Printer ready for print a label

STEP 3. Send a label or commands which met problem to the printer

STEP 4. Printer will print out a label with letters and numbers, please take a picture on them and send us by email.

To cancel (get out of) the Dump Mode, please press the FEED key, and then the printer will automatically print "OUT OF DUMP MODE." This indicates that the printer is back to the standby mode.

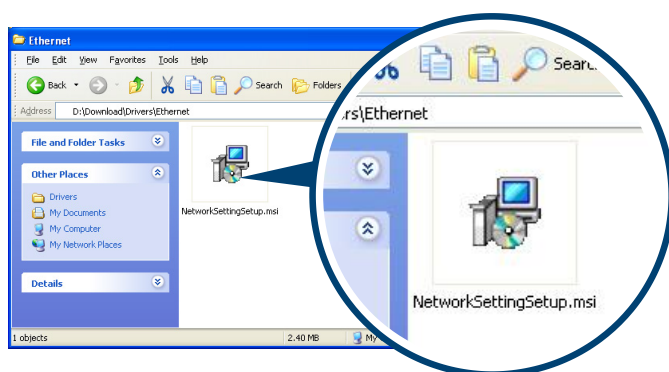
4. NetSetting for Ethernet

4-1 Installing The NetSetting software

The NetSetting software is used to manage the network configurations when connecting the printer via Ethernet port. It is available on product CD or can be downloaded from official website. To install the NetSetting, please follow below steps.

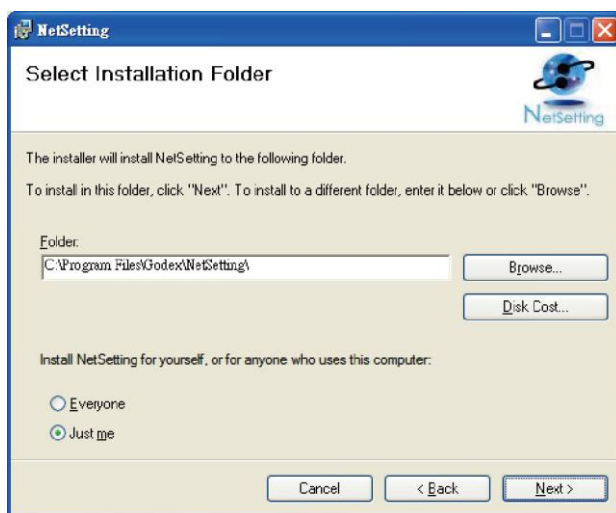
Step-01 Insert the product CD in the CD/DVD drive of the host computer and open the "Ethernet" folder on the CD.

Step-02 Select the icon for the NetSetting installation file and click it to start the installation.



Step-03 Follow the instructions on the screen. The Setup Wizard guides you through the installation procedure

Step-04 Specify the "Installation Folder".



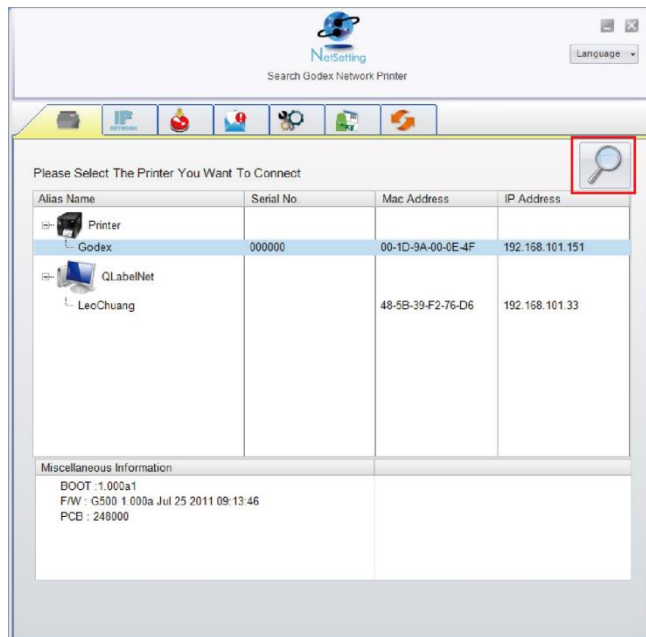
Step -05 Click "Next" to start the installation.

Step -06 Once the installation is completed; you will see the NetSetting icon on your desktop.

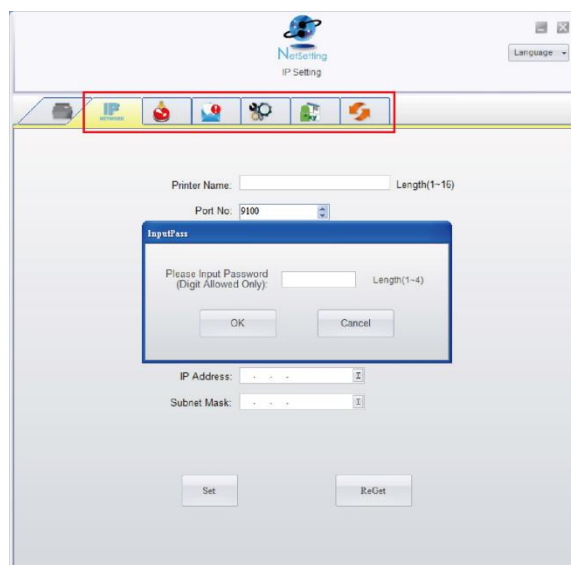


4-2 The interface of NetSetting

Click the NetSetting icon to start the program; you will see the start page as below. The start page will display the basic information of connected printer and your PC.



Click the magnifier icon to search the Godex printers which are connected via Ethernet port in your network environment. Once a connected Godex printer is detected, it will be listed on the start page.



There are six tabs on the top of interface which can configure different types of network settings. But for the data

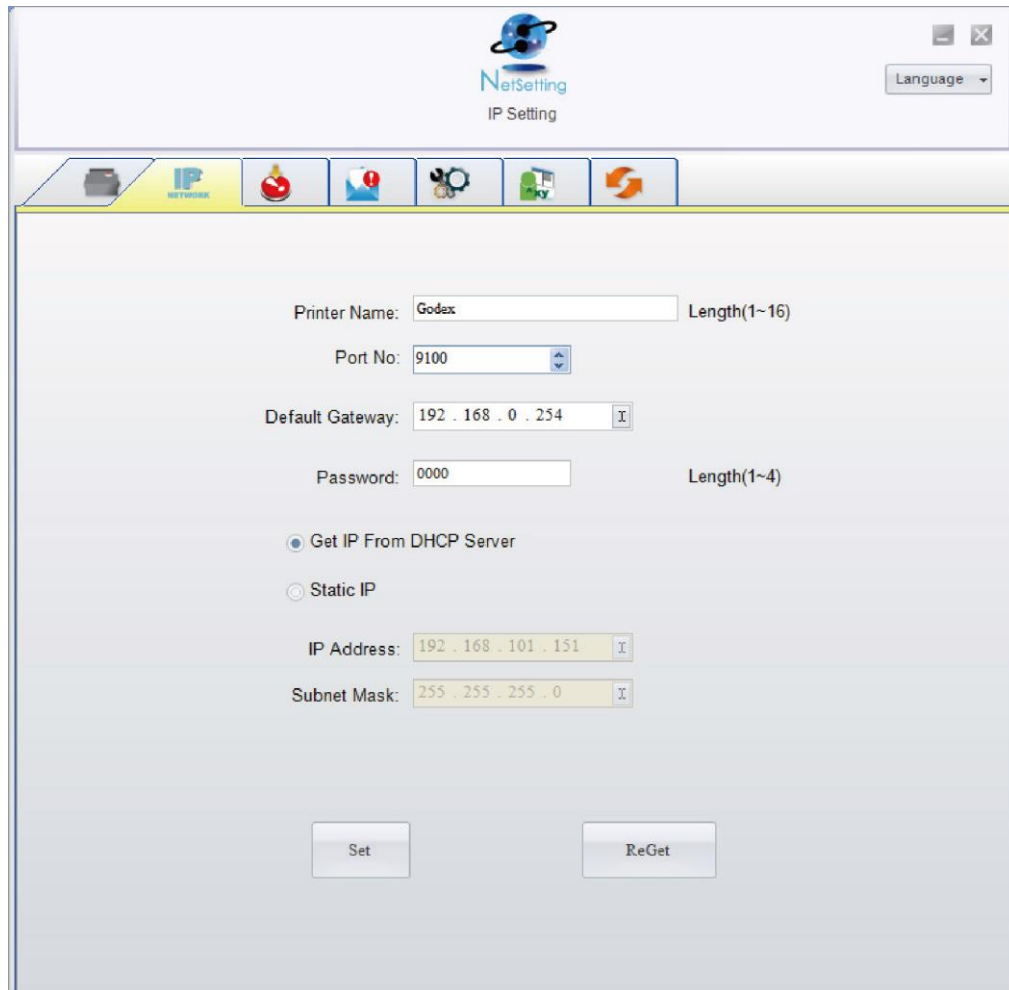
security reason, you need correct password to enter the configuration pages.

! NOTICE

- The default password is “1111”, you can change the password later from the “IP Setting” tab.

IP Setting

The IP Setting tab can change the printer name, Port number, Gateway setting and the password for configuring the printer. You can also set the printer’s IP address ether by DHCP or by Static IP.



The screenshot shows the 'NetSetting IP Setting' window. At the top, there is a 'Language' dropdown menu. Below it is a navigation bar with icons for printer, IP NETWORK, a red circle with a white exclamation mark, a mail icon, a gear icon, a printer icon, and a refresh icon. The main area contains the following fields and options:

- Printer Name: Godax (Length(1~16))
- Port No: 9100
- Default Gateway: 192 . 168 . 0 . 254
- Password: 0000 (Length(1~4))
- Radio buttons for IP configuration:
 - Get IP From DHCP Server
 - Static IP
- IP Address: 192 . 168 . 101 . 151
- Subnet Mask: 255 . 255 . 255 . 0

At the bottom, there are two buttons: 'Set' and 'ReGet'.

You can press “Set” button to apply the settings and “ReGet” button to refresh the setting values.

! NOTICE

- To fully benefit from the NetSetting software, you should be familiar with basic networking principles. Please contact your network administrator for related network setting information

Alert Path Setting

NetSetting will send the alert messages to designated mail account when the error happened on printer. The alert messages are sent by SMTP (Simple Mail Transfer Protocol) or SNMP (Simple Network Management Protocol). You can set or change the configurations of SMTP and SNMP on this “Alert Path Setting” tab.

SMTP Notification Enable

Login Account: Length(1~64)

Login Password: Length(1~16)

Server IP Address: xxx.xxx.xxx.xxx

Mail Subject: Length(1~60)

Mail From Address: Length(1~32)

Mail To Address: Length(1~32)

Duration Cycle: 0 ~ 168 Hours

Event Counter: 1 ~ 100

SNMP Notification Enable

SNMP Community: Length(1~16)

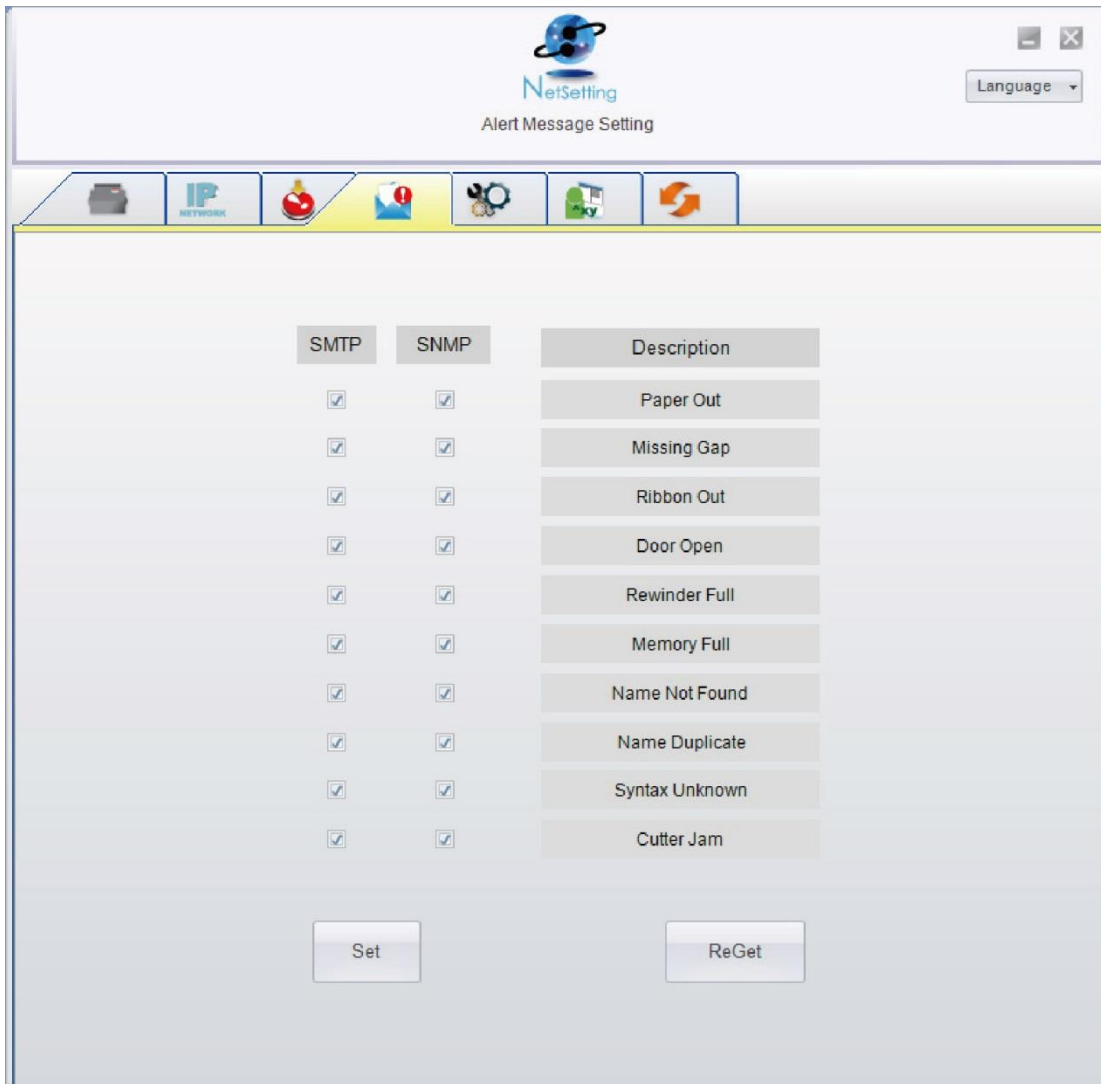
SNMP Trap Community: Length(1~16)

Trap IP Address: xxx.xxx.xxx.xxx

You can press “Set” button to apply the settings and “ReGet” button to refresh the setting values.

Alert Message Setting

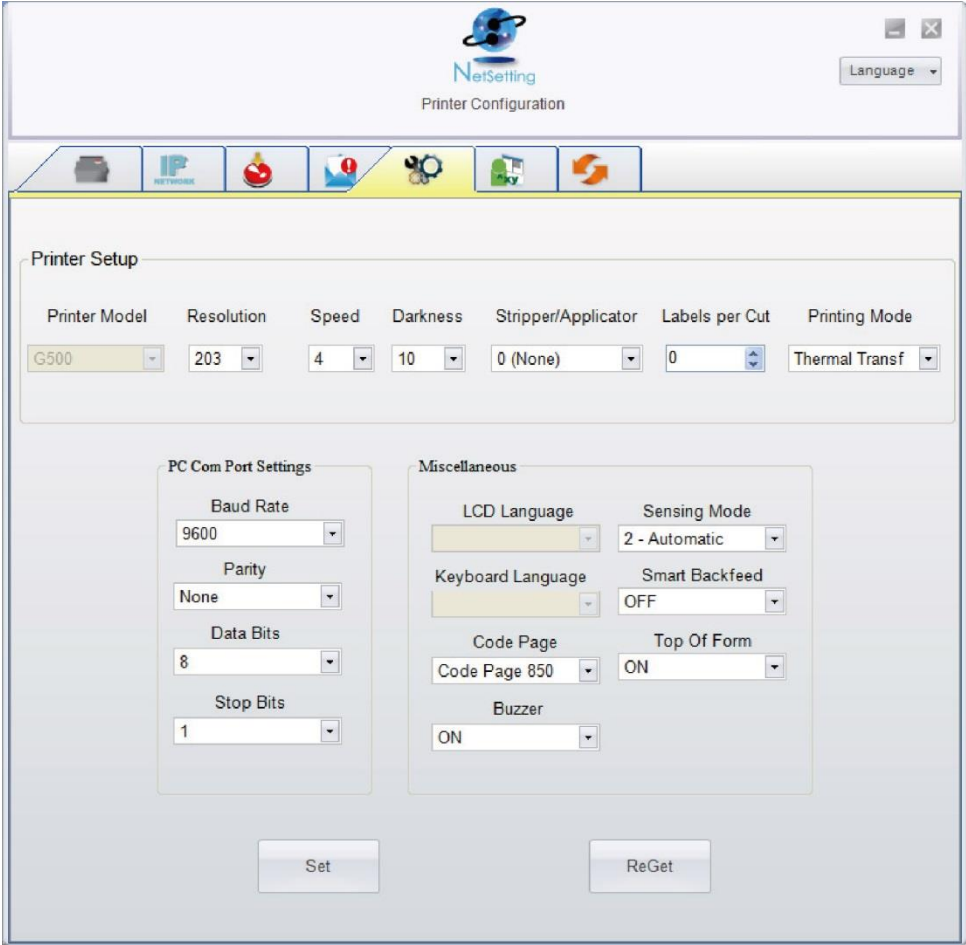
For the alert message notification function, you can decide which error cases need to be sent out to the operator. Moreover, the alert messages can be set to be sent by SMTP, SNMP or both.



You can press “Set” button to apply the settings and “ReGet” button to refresh the setting values.

Printer Configuration

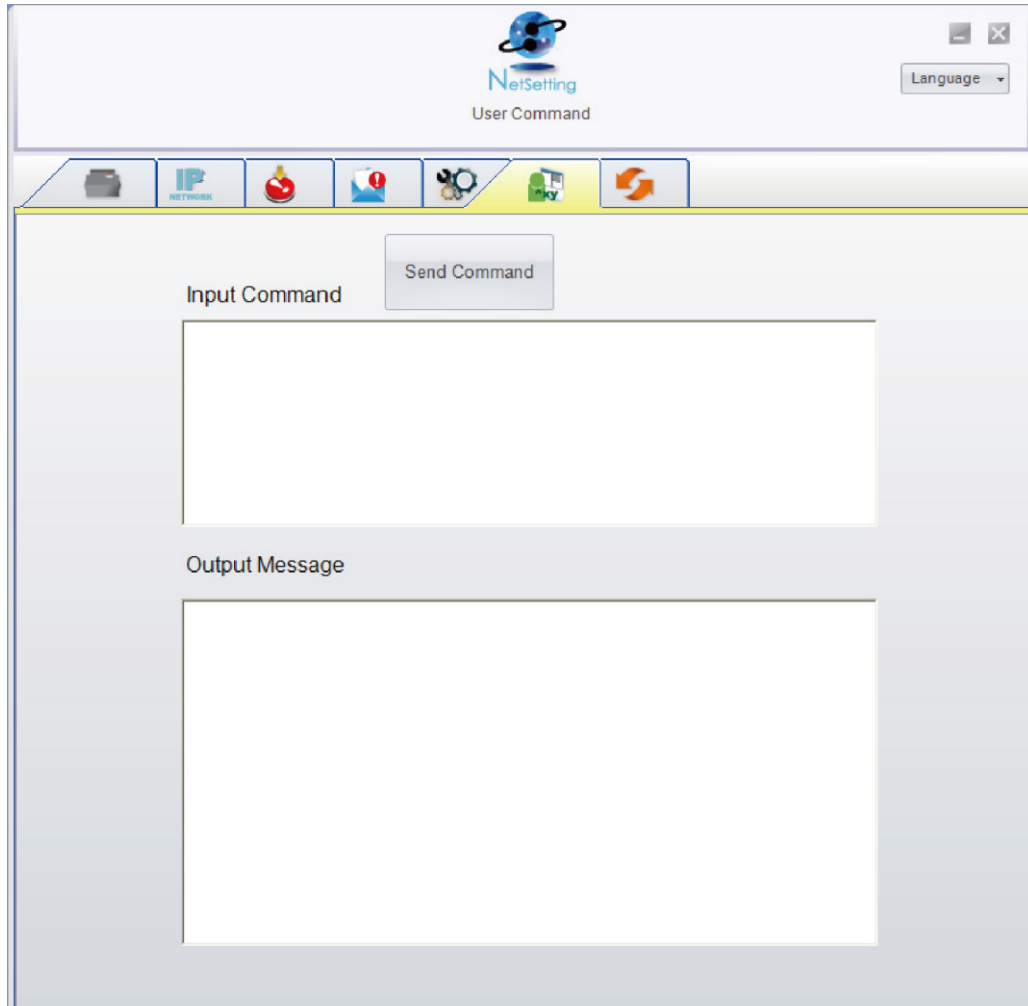
Set or change the configurations of connected printer. Most of key settings for the printer operation can be done by this setting page.



You can press "Set" button to apply the settings and "ReGet" button to refresh the setting values.

User Command

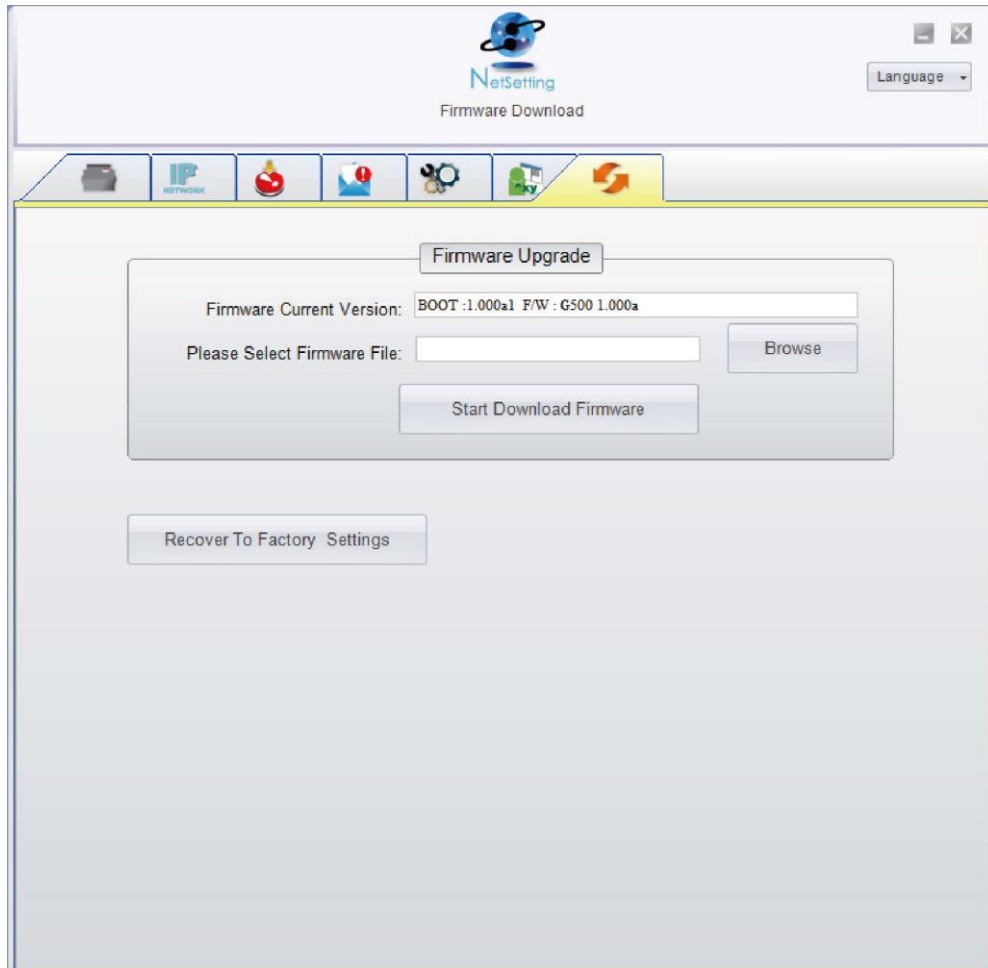
“The “User Command” tab provides a communication interface for operator to control the printer. Input printer commands in "Input Command" window and press “Send Command” button, the commands will be sent to the printer. For some commands that will return response message, the message will be displayed in "Output Message" window.



You can press “Send Command” button to send printer commands via Ethernet port and control the printer remotely

Firmware Download

On “Firmware Download” tab, the current version of printer firmware will be showed on the screen. If you need to update the printer firmware, just specify the file location of firmware file and press “Start Download Firmware” button. The printer firmware then can be updated remotely.



In addition to the firmware update, you can press “Recover To Factory Settings” button to restore the printer configurations back to factory default.

5. Maintenance And Adjustment

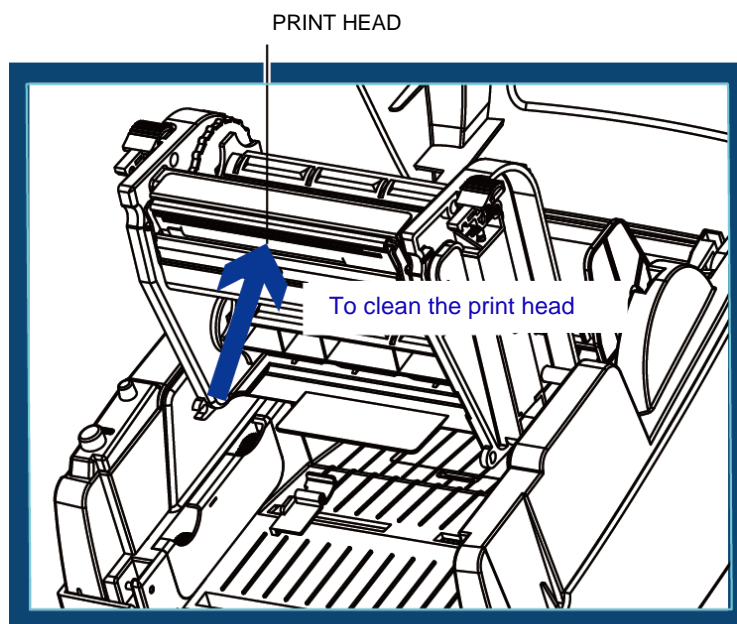
5-1 Cleaning The Print Head

Dirt on the print head or ribbon, or glue residue from the label stock may result in inadequate print quality. The printer cover must therefore always be closed during printing. Keeping dirt and dust away from the paper or labels ensures a good print quality and a longer lifespan of the print head.

◆ Cleaning Steps

Here is how you clean the print head.

1. Switch off the printer.
2. Open the printer cover.
3. Release the printing mechanism and lift it.
4. Remove the ribbon.
5. To remove any label residue or other dirt from the print head (see blue arrow), please use a soft lint-free cloth dipped in alcohol.



! NOTICE

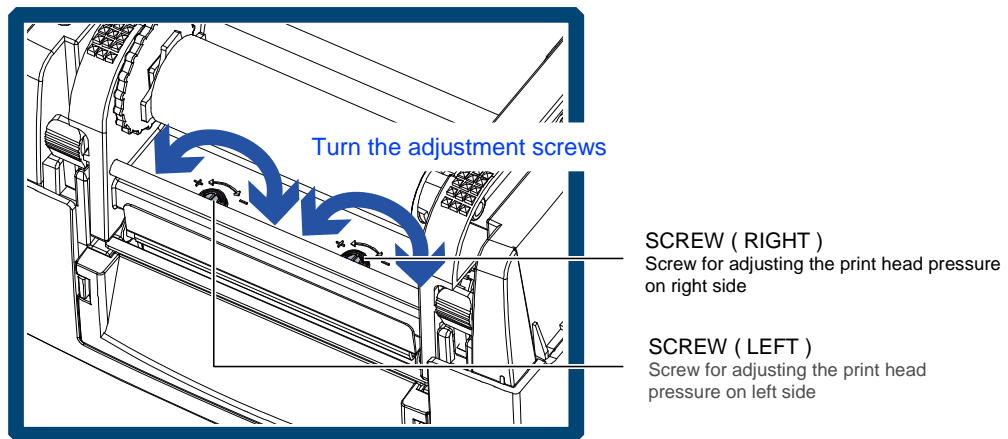
- The print head should be cleaned once a week.
- Please make sure that there are no metal fragments or other hard particles on the soft cloth used to clean the print head.

5.2 Adjusting The Print Head Pressure

When printing on special media (with varying material thickness), the print quality may suffer. You will then need to adjust the print head pressure.

◆ Adjustment Steps

1. Open the printer cover.
2. Remove the ribbon.
3. Use a screw driver and slowly turn the adjustment screws for the print head to increase or reduce the print head pressure. Do not screw it hard, otherwise the machine will be broken.
4. Turn the adjustment screws according to actual position which is unsuccessful printed. Turn towards +(Plus) indicates : The pressure is increased ; Turn towards -(Minus) indicates : The pressure is reduced.



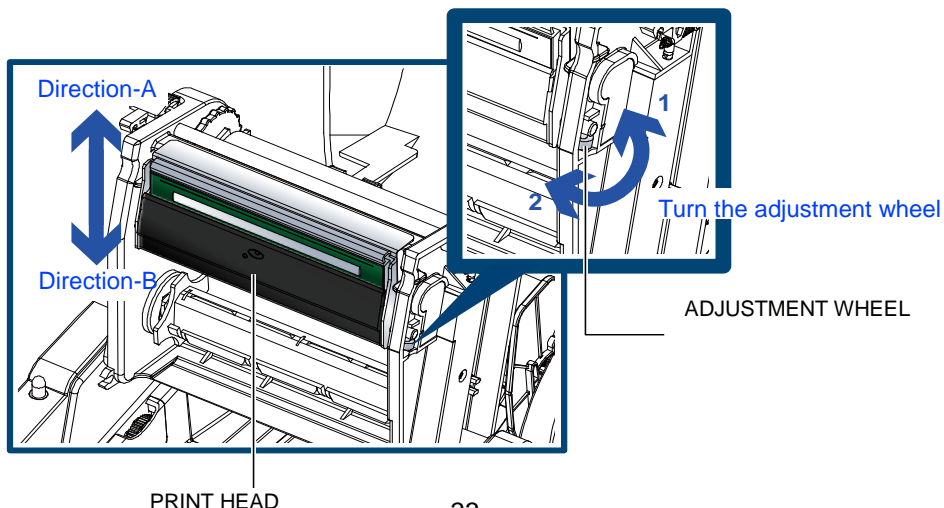
5-3 Adjusting The Print Line

When the print line is incorrectly set, the print quality on one side of the medium may suffer.

In such a case, the print line must be adjusted so it is positioned parallel to the paper feed roller.

◆ Adjustment Methods

1. To move the print head in direction A as indicated by the blue arrow, turn the adjustment wheel anticlockwise (see arrow 1).
2. To move the print head in direction B as indicated by the blue arrow, turn the adjustment wheel clockwise (see arrow 2).



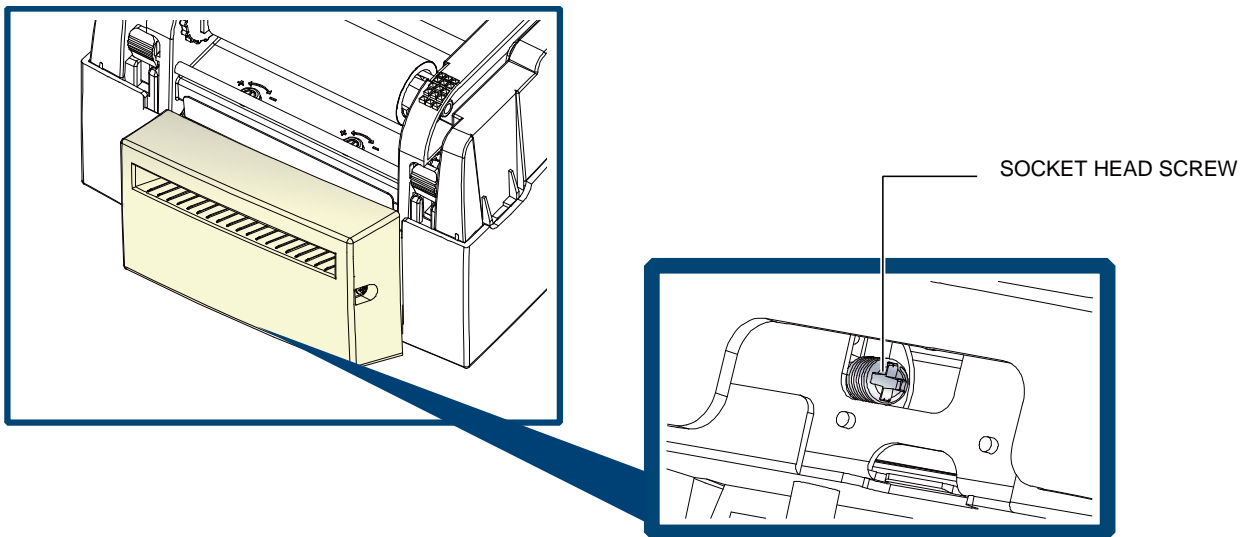
5-4 Cleaning The Cutter (Cutter Model)

While using the cutter, paper jams may occur. Please follow the below steps to clean the paper jam.

A socket head screw for adjusting the cutter is located on the bottom of cutter module, as shown in below illustration.

◆ Cleaning Steps

1. Switch off the printer.
2. Use a Philips screwdriver to turn the socket head screw and release the knife.
3. When you have cleared the paper jam, switch on the printer again. The cutter will automatically reset



! NOTICE

- Labels should be at least 30 mm high to ensure correct functioning of the cutter.

5-5 Troubleshooting

Problem	Solution
The printer is switched on but the display does not light up.	<ul style="list-style-type: none"> ◆ Check the power supply. °
One or both LEDs light up red and printing is interrupted.	<ul style="list-style-type: none"> ◆ Check the software settings (driver settings) or command codes. ◆ Look for the error alert in the table in Section 3-3 Error alerts . ◆ Check whether the cutter is functioning normally and whether it is cutting at all. (Only if a cutter is installed.)
The label stock passes through the printer but no image is printed.	<ul style="list-style-type: none"> ◆ Please make sure that the label stock is loaded the right way up and that it is suitable material. ◆ Please make sure that the ribbon is loaded correctly.
The label stock jams during printing.	<ul style="list-style-type: none"> ◆ Clear the paper jam. Remove any label material left on the thermal print head and clean the print head using a soft lint-free cloth dipped in alcohol.
There is no printed image on part of the label or the image is blurred.	<ul style="list-style-type: none"> ◆ Check the thermal print head for dust or other dirt (label material or ribbon residue). ◆ Check for errors in the application software. ◆ Check the ribbon for wrinkles. ◆ Check the power supply. ◆ Run a self test (Section 3-2) and check the test print pattern to see whether the print head prints over the entire width of the medium. ◆ Check the quality of the print medium.
The printed image is positioned incorrectly or a label is missed out during printing.	<ul style="list-style-type: none"> ◆ Run the Label size calibration function. (Section 3-2) ◆ Check the label height setting. ◆ Check whether there is paper or dust covering the sensor. ◆ Check the paper guide settings.
The cutter does not cut off the labels in a straight line.	<ul style="list-style-type: none"> ◆ Check whether the label stock is positioned straight.
The cutter does not cut off the labels completely.	<ul style="list-style-type: none"> ◆ Check whether the label is more than 0.2 mm thick.
When using the cutter, the labels are not fed through or cut off incorrectly.	<ul style="list-style-type: none"> ◆ Check whether the cutter has been correctly installed. ◆ Check whether the paper guides are functioning correctly.
The label dispenser is not functioning normally.	<ul style="list-style-type: none"> ◆ Check whether there is dust on the label dispenser. ◆ Check whether the label stock is positioned correctly.

! NOTICE

- If any problems occur that are not described here, please contact your dealer.

Appendix -EZ100 Series Printer Specifications

Model	EZ120	EZ130
Print Method	Thermal Transfer / Direct Thermal	
Resolution	203 dpi (8 dots/mm)	300 dpi (12 dots/mm)
Print Speed	Up to 4 IPS (102 mm/s)**	3 IPS (76 mm/s)**
Print Width	4.25" (108 mm)	4.16" (105.7 mm)
Print Length	Min. 0.16" (4 mm)** Max. 68" (1727 mm)	Min. 0.16" (4 mm)** Max. 30" (762 mm)
Processor	32 Bit RISC CPU	
Memory	8MB Flash (4MB for user storage); 16MB SDRAM	
Sensor Type	Adjustable reflective sensor 2 fixed transmissive sensors, central aligned	
Media	Types: Continuous form, gap labels, black mark sensing, and punched hole; label length set by auto sensing or programming Width: 1" (25.4 mm) Min. - 4.64" (118 mm) Max. Thickness: 0.003" (0.06 mm) Min. - 0.01" (0.25 mm) Max.** Label roll diameter: Max. 5" (127 mm) Core diameter: 1" (25.4 mm), 1.5" (38.1mm), 3" (76.2mm)	
Ribbon	Types: Wax, wax/resin, resin Length: 981' (300 m) Width: 1.18" Min. - 4.33" (30 mm - 110 mm) Max. Ribbon roll diameter: 2.67" (68 mm) Core diameter: 1" (25.4 mm)	
Printer Language	EZPL, GEPL, GZPL auto switch	
Software	Label design software: GoLabel (for EZPL only) Driver: Windows 2000 / XP / VISTA / Windows 7 / Windows 8.1 DLL/SDK: Win CE, .NET, Andriod, Windows Mobile, Windows 2000 / XP / VISTA / Windows 7 / Windows 8.1	
Resident Fonts	Bitmap fonts: 6, 8, 10, 12, 14, 18, 24, 30, 16X26 and OCR A & B Bitmap fonts 90°, 180°, 270° rotatable, single characters 90°, 180°, 270° rotatable Bitmap fonts 8 times expandable in horizontal and vertical directions Scalable fonts 90°, 180°, 270° rotatable	
Download Fonts	Bitmap fonts 90°, 180°, 270° rotatable, single characters 90°, 180°, 270° rotatable Asian fonts 90°, 180°, 270° rotatable and 8 times expandable in horizontal and vertical directions Scalable fonts 90°, 180°, 270° rotatable	
Barcodes	1-D Bar codes: Code 39, Code 93, EAN 8 /13 (add on 2 & 5), UPC A/E (add on 2 & 5), I 2 of 5 & I 2 of 5 with Shipping Bearer Bars, Codabar, Code 128 (subset A, B, C), EAN 128, RPS 128, UCC 128, UCC/EAN-128 K-Mart, Random Weight, Post NET, ITF 14, China Postal Code, HIBC, MSI, Plessey, Telepen, FIM, GS1 DataBar, German Post Code, Planet 11 & 13 digit, Japanese Postnet, I 2 of 5 with human readable check digit, Standard 2 of 5, Industrial 2 of 5, Logmars, Code 11, Code 49, Cadablock 2-D Bar codes: PDF417, Datamatrix code, MaxiCode, QR code, Micro PDF417, Micro QR code and Aztec code.	
Code Pages	CODEPAGE 437, 850, 851, 852, 855, 857, 860, 861, 862, 863, 865, 866, 869, 737 WINDOWS 1250, 1251, 1252, 1253, 1254, 1255, 1257 Unicode (UTF8, UTF16)	
Graphics	Resident graphic file types are BMP and PCX, other graphic formats are downloadable from the software	
Interfaces	USB Device (B-Type)	
Control Panel	One Tri-color LED: Power (Green, Orange and Red) Function Key: FEED	
Power	Wall Mount Auto Switching 100-240VAC, 50-60Hz.	
Environment	Operation temperature: 41°F to 104°F (5°C to 40°C) Storage temperature: -4°F to 122°F (-20°C to 50°C)	
Humidity	Operation: 30-85%, non-condensing. Storage: 10-90%, non-condensing.	
Agency Approvals	CE(EMC), FCC Class A, CB, CCC, UL, cUL	
Dimension	Length: 11.2" (285 mm) Height: 6.8" (171 mm) Width: 8.9" (226 mm)	
Weight	6 lbs (2.72Kg) ,excluding consumables	
Options	External label roll holder for 10"(250 mm) O.D. label rolls External label rewinder T10	

* Specifications are subject to change without notice. All company and/or product names are trademarks and/or registered trademarks of their respective owners.

** Minimum print height, maximum print speed and maximum media thickness specification compliance can be dependent on non-standard material variables such as label type, thickness, spacing, liner construction, etc. Godex is pleased to test non-standard materials for minimum print height, maximum print speed and maximum media thickness capability.

Appendix -EZ300/EZ500 Series Printer Specifications

Model	EZ320	EZ330	EZ520	EZ530
Print Method	Thermal Transfer / Direct Thermal			
Resolution	203 dpi (8 dots/mm)	300 dpi (12 dots/mm)	203 dpi (8 dots/mm)	300 dpi (12 dots/mm)
Print Speed	Up to 6 IPS (152 mm/s)**	4 IPS (102 mm/s)**	Up to 6 IPS (152 mm/s)**	4 IPS (102 mm/s)**
Print Width	4.25" (108 mm)	4.16" (105.7 mm)	4.25" (108 mm)	4.16" (105.7 mm)
Print Length	Min. 0.16" (4 mm)** Max. 68" (1727 mm)	Min. 0.16" (4 mm)** Max. 30" (762 mm)	Min. 0.16" (4 mm)** Max. 68" (1727 mm)	Min. 0.16" (4 mm)** Max. 30" (762 mm)
Processor	32 Bit RISC CPU			
Memory	8MB Flash (4MB for user storage); 16MB SDRAM			
Sensor Type	Adjustable reflective sensor 2 fixed transmissive sensors, central aligned			
Media	Types: Continuous form, gap labels, black mark sensing, and punched hole; label length set by auto sensing or programming Width: 1" (25.4 mm) Min. - 4.64" (118 mm) Max. Thickness: 0.003" (0.06 mm) Min. - 0.01" (0.25 mm) Max.** Label roll diameter: Max. 5" (127 mm) Core diameter: 1" (25.4 mm), 1.5" (38.1mm), 3" (76.2mm)			
Ribbon	Types: Wax, wax/resin, resin Length: 360' (110 m) Width: 1.18" Min - 4.33" (30 mm - 110 mm) Max Ribbon roll diameter: 1.57" (40 mm) Core diameter: 0.5" (12.7 mm)		Types: Wax, wax/resin, resin Length: 981' (300 m) Width: 1.18" Min. - 4.33" (30 mm - 110 mm) Max. Ribbon roll diameter: 2.67" (68 mm) Core diameter: 1" (25.4 mm)	
Printer Language	EZPL, GEPL, GZPL auto switch			
Software	Label design software: GoLabel (for EZPL only) Driver: Windows 2000 / XP / VISTA / Windows 7 / Windows 8.1 DLL/SDK: Win CE, .NET, Andriod, Windows Mobile, Windows 2000 / XP / VISTA / Windows 7 / Windows 8.1			
Resident Fonts	Bitmap fonts: 6, 8, 10, 12, 14, 18, 24, 30, 16X26 and OCR A & B Bitmap fonts 90°, 180°, 270° rotatable, single characters 90°, 180°, 270° rotatable Bitmap fonts 8 times expandable in horizontal and vertical directions Scalable fonts 90°, 180°, 270° rotatable			
Download Fonts	Bitmap fonts 90°, 180°, 270° rotatable, single characters 90°, 180°, 270° rotatable Asian fonts 90°, 180°, 270° rotatable and 8 times expandable in horizontal and vertical directions Scalable fonts 90°, 180°, 270° rotatable			
Barcodes	1-D Bar codes: Code 39, Code 93, EAN 8 /13 (add on 2 & 5), UPC A/E (add on 2 & 5), I 2 of 5 & I 2 of 5 with Shipping Bearer Bars, Codabar, Code 128 (subset A, B, C), EAN 128, RPS 128, UCC 128, UCC/EAN-128 K-Mart, Random Weight, Post NET, ITF 14, China Postal Code, HIBC, MSI, Plessey, Telepen, FIM, GS1 DataBar, German Post Code, Planet 11 & 13 digit, Japanese Postnet, I 2 of 5 with human readable check digit, Standard 2 of 5, Industrial 2 of 5, Logmars, Code 11, Code 49, Cadablock 2-D Bar codes: PDF417, Datamatrix code, MaxiCode, QR code, Micro PDF417, Micro QR code and Aztec code			
Code Pages	CODEPAGE 437, 850, 851, 852, 855, 857, 860, 861, 862, 863, 865, 866, 869, 737 WINDOWS 1250, 1251, 1252, 1253, 1254, 1255, 1257 Unicode (UTF8, UTF16)			
Graphics	Resident graphic file types are BMP and PCX, other graphic formats are downloadable from the software			
Interfaces	USB Device (B-Type), Ethernet port (RJ-45)			
Control Panel	One Tri-color LED: Power (Green, Orange and Red) Function Key: FEED			
Power	Auto Switching 100-240VAC, 50-60Hz.			
Environment	Operation temperature: 41°F to 104°F (5°C to 40°C) Storage temperature: -4°F to 122°F (-20°C to 50°C)			
Humidity	Operation: 30-85%, non-condensing. Storage: 10-90%, non-condensing.			
Agency Approvals	CE(EMC), FCC Class A, CB, CCC, UL, cUL			
Dimension	Length: 11.2" (285 mm) Height: 6.8" (171 mm) Width: 8.9" (226 mm)			
Weight	6 lbs (2.72Kg) ,excluding consumables			
Options	External label roll holder for 10"(250 mm) O.D. label rolls External label rewinder T10			

* Specifications are subject to change without notice. All company and/or product names are trademarks and/or registered trademarks of their respective owners.

** Minimum print height, maximum print speed and maximum media thickness specification compliance can be dependent on non-standard material variables such as label type, thickness, spacing, liner construction, etc. Godex is pleased to test non-standard materials for minimum print height, maximum print speed and maximum media thickness capability