

Thermal Receipt Printer

58MM Thermal Receipt Printer User Manual

Please keep user manual for reference

Attention

- Put printer on stable surface. Choose firm, level surface where avoid vibration.
- Don't use and store printer in high temperature, high humid and serious polluted place.
- Connect power adapter properly to grounded receptacle. Avoid using the same socket with large power consumption devices that can lead to power fluctuation.
- Avoid water or other objects go into printer. Once happened, turn off printer immediately.
- Print without paper roll will damage printing head seriously.
- Unplug printer from power receptacle if do not use it for a long time.
- Only use approved accessories, never try to disassemble, repair or remodel it.
- Use standard power adapter.
- Use high quality paper, this ensures the printing quality and life of printer.
- Please turn off power before plug/ unplug cable.
- Printer is used only under 5000 meters.

Applications

- ★ POS system
- ★ EFT POS system
- ★ Gym, post, civil aviation system
- ★ Inquiry, service system
- ★ Instrument test
- ★ Tax, Tab

Packing

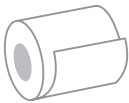
Printer & accessories

User manual	1PC
Printer	1PC
Power cable	1PC
Power adapter	1SET
Paper roll	1ROLL
Driver	1PC

Features

- 90mm/s, 120mm/s high printing speed
- Support kitchen, network printing
- Support cash drawer driver
- Parallel, Serial, USB, LAN interface optional
- Built-in data buffer(Able to receive new data while printing)
- Characters can be enlarged, adjusted line spacing, left and right spacing, as well as bold and under line
- Support different density NV bitmap download and printing
- ESC/POS compatible, setting DIP switch to choose characters and fonts
- Support configuration through WEB, multiple connect printing
- Through software binding to set printer identification
- Support international languages

Avoid order missing



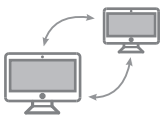
High printing speed



ID Identity



Support network printing



Support OPOS driver



Support international languages

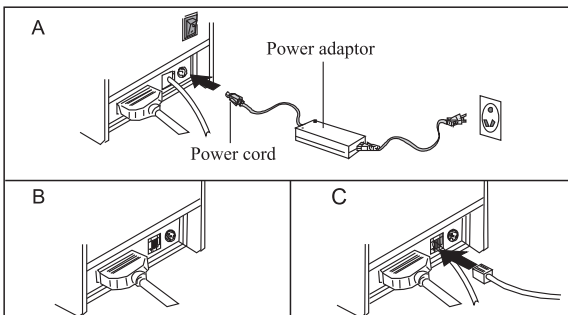


Specification

Printing method	Direct thermal
Printing speed	90mm/s, 120mm/s
Roll paper	Paper width:57.5 ± 0.5mm
Column capacity	384 dots/line
Character size	ANK, Font A: 12×24 dots Font B: 9×17 dots simplified/traditional Chinese: 24x24 dots
Command	Compatible with ESC/POS
Interface(optional)	Serial/Parallel/USB/LAN
Auto cutter	Full or Partial(optional)
Reliability	Printing head life:50 km
Barcode	UPC-A/UPC-E/JAN13(EAN13)/JAN8(EAN8)/ CODE39/ITF/CODABAR/CODE93/CODE128/QR code
Paper thickness	0.06~0.08mm
Adaptor input voltage	AC 110V/220V, 50~60Hz
Power supply	DC 12V ≍ 2.6A
Printer input voltage	DC 12V ≍ 2.6A
Cash drawer control	DC 12V ≍ 1A
Working environment	Temperature (0~45°C), humidity(10~80%)
Storage environment	Temperature (-10~60°C), humidity(10~90%)
Drivers	Win 9X/Win 2000/Win 2003/Win XP/Win 7/Win 8/Win 8.1/Linux

Connection

- A. Connect AC power cord to power, DC power cord to printer.
- B. Connect printer and computer/ tablet.
- C. Connect cash drawer.

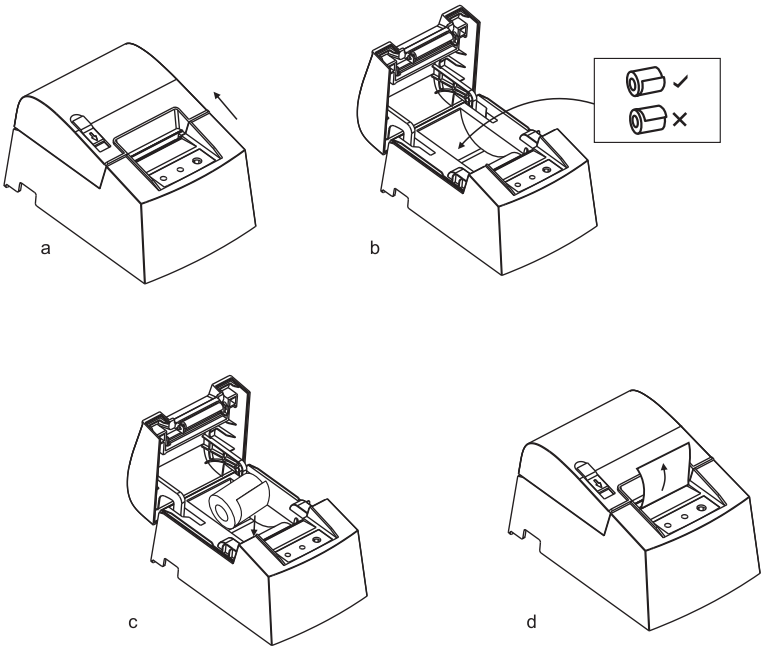


Paper roll loading

58mm thermal paper roll recommended to 58mm series printers.

The method of paper loading is as below:

- a. Open top cover
- b. Drop paper roll in the hole as below
- c. Pull the paper into the paper holder, then close top cover
- d. Print one self-test to make sure paper correctly installed.



Button name, indicator LED light and function

(1) FEED button

Press to FEED paper manually.

(2) Status indicator

When paper roll run out, cutter error, printing head overheat, the status indicator will flickers.

(3) Power indicator

Light is on means connected properly.

Self Test

Method: When the printer is connected to power, turn off the power , press “FEED” button and turn on the power at the same time, 2 seconds later release the button, the printer will print out the current status and printer settings.

Method to enter hexadecimal mode

Method: When printer is connected power, press“FEED” button and turn on at the same time for about 10 seconds, release “FEED” button to enter data hex dump mode. it will print “Hexadecimal Dump”on the paper.

Reset

After connecting printer, press FEED button and turn on the power at the same time, the status indicator will flicker after 20 seconds, it means the printer has been initialized, back to factory setting.

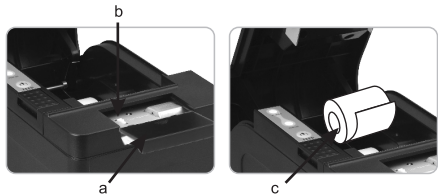
Cutter stuck maintenance (For printer with cutter)

Method (1)

Turn off the power and then restart.

Method (2)

- Turn off power, open printing head cover
- Turn the white gear till it back to standard
- Reload the paper roll, turn it on it is ok to print again



⚠ Notice: To avoid the damage of the printing head and automatic paper cutter, please do not open cutter and mechanism violently.

Driver installation

- Two method: 1) Install driver directly.
2) Printing via port directly.

Note: The driver installation method, see Graphical presentations of the Driver's intallation.

Printing via port directly

- a. No need to install printer driver. Directly choose a right port (i.e., USB, LAN, Serial, Parallel) in software.
- b. Printing via port needs commands to control printer, ESC/ POS commands are integrated directly itself.

Clearance

One of the followings occurred, please clean printing head.

- (1) Printing is not clear
- (2) Any vertical column is not clear
- (3) Paper feed noisily.

Printing head cleaning steps:

- (1) Turn printer off, release power cord. Open top cover, take out paper roll.
- (2) Wait till printing head cooling if it just finished printing.
- (3) Clean printing head completely using swab with alcohol (without water).
- (4) Until alcohol completely volatilized, close top cover.
- (5) Connect power again, print self test to check if it is clean.

Notice:

- (1) Please make sure power off when maintaining printer.
- (2) Don't touch or scratch printing head surface, roller and sensors.
- (3) Avoid gas, acetone or other organic solvent.
- (4) Wait till alcohol completely volatilized, close top cover and connect power again. Try print self test to make sure it works properly.



Warning :No part of this manual can be changed without agreement. The company reserves the rights to modify the technology, components, software and hardware. You may ask the distributors for more product information. No part of chapter in this manual can be copied or transmitted in any format without permission.